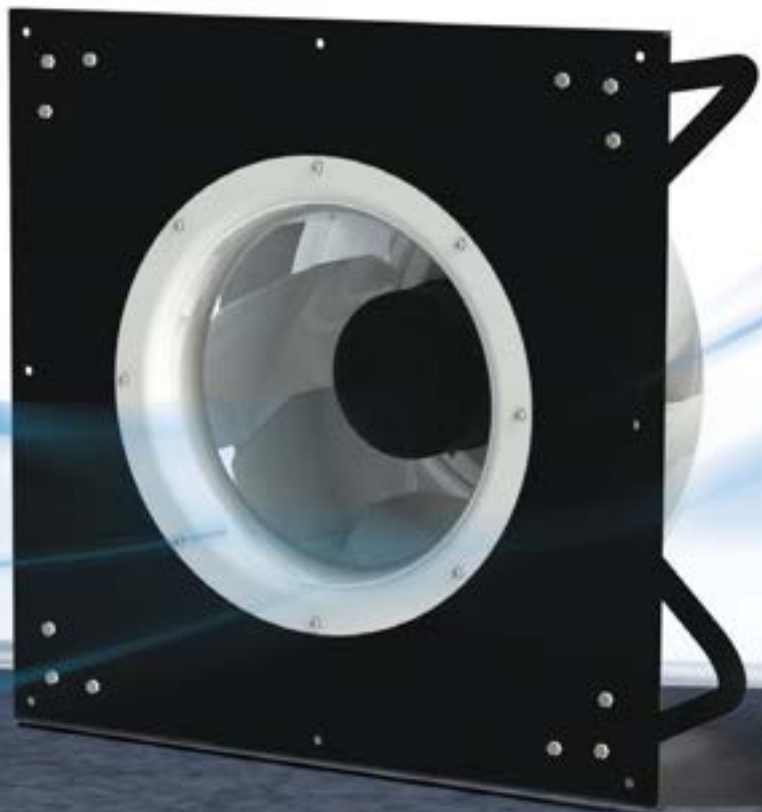




플러그팬 [BLDC모터]

PLUG FANS [BLDC MOTOR]

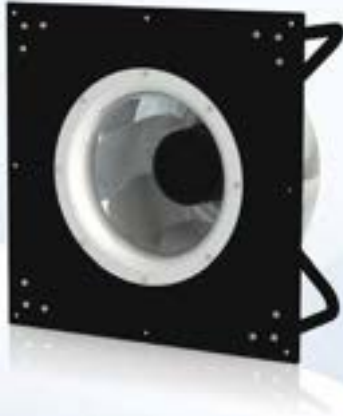
- APF-40BL
- APF-45BL
- APF-50BL I
- APF-50BL II
- APF-56BL
- APF-63BL
- APF-71BL



플러그팬 [BLDC모터]

PLUG FANS [BLDC MOTOR]

제품특징 Characteristics



- 국내 최초 BLDC모터 채택으로 회전수 제어 기능 및 고효율 실현
- 고정압용 공조기팬 사용에 적합하도록 설계(특수 설계된 백워드 팬 적용)
- 알루미늄 재질을 적용하여 경량화 구현 및 구조적 강도 향상
- 1.5kW ~ 3.0kW 각 용량별 기종 구축
- 삼상(380~440V 가능) 영역에 외부제어 및 내부제어 가능
- 정밀 발란스 교정을 통해 고속 회전에서도 저진동 · 저소음 실현
- With the adoption of BLDC motor, control of rotating function enhanced and high efficiency ensured
- With implementation of the specially made backward curve fan, designed to be used for HVAC(Heating, Ventilation & Air Conditioning) fans for high static pressure
- Ultralight and excellent structural strength achieved by implementing light-weight aluminum
- Various models available per capacity (1.5kW ~ 3.0kW)
- Internal and external control possible in the area of three-phase (380V ~ 440V available)
- Through high-precision balance calibration, the level of noise and vibration lowered even at high speed rotation

APF-56BL

■ PF : 플러그 팬 (PLUG FAN)

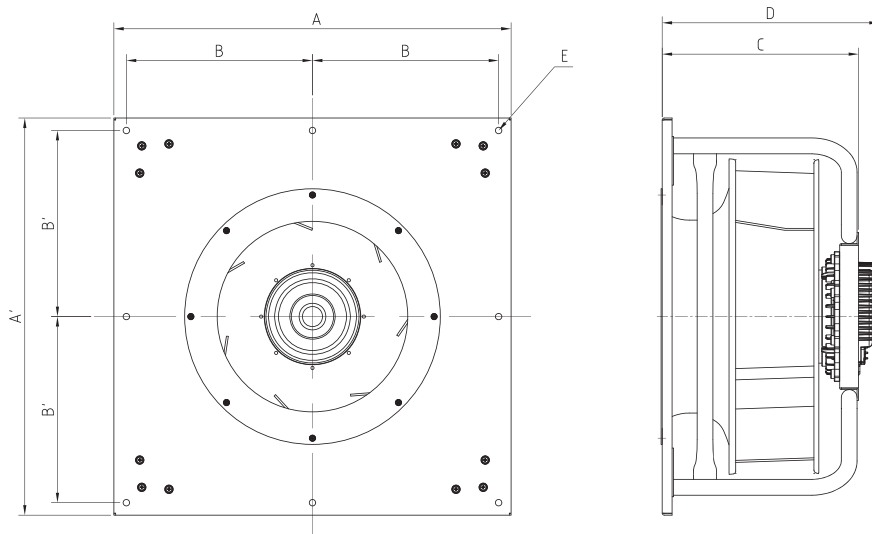
■ 56 : 임펠러 (IMPELLER)

■ BL : BLDC 모터 (BLDC MOTOR)

표준사양 (Standard Specification)

| 제품명 Model | 정격 출력 Rated Output | | 정압 Static Pressure (Max) | | 풍량 Air Volume (Max) | | 최대 회전속도 | 재질 Material | |
|--------------|-----------------------|-----|--------------------------------|-------|---------------------------|---------|------------|--------------------|--------------------|
| | kW | HP | mmAq | Pa | m³/min | ft³/min | RPM | 프레임 Frame | 임펠러 Impeller |
| APF-40BL | 1.5 | 2.0 | 111 | 1,088 | 100 | 3,530 | 2,200 | CR (흑색 분체도장) | AL (은색 분체도장) |
| APF-45BL | 1.5 | 2.0 | 100 | 980 | 113 | 3,989 | 1,900 | | |
| APF-50BL I | 2.2 | 3.0 | 104 | 1,019 | 165 | 5,824 | 1,700 | | |
| APF-50BL II | 2.2 | 3.0 | 101 | 990 | 193 | 6,813 | 1,600 | | |
| APF-56BL | 3.0 | 4.0 | 99 | 970 | 235 | 8,296 | 1,450 | | |
| APF-63BL | 3.0 | 4.0 | 84 | 823 | 288 | 10,166 | 1,150 | | |
| APF-71BL | 3.0 | 4.0 | 72 | 706 | 338 | 11,931 | 950 | | |

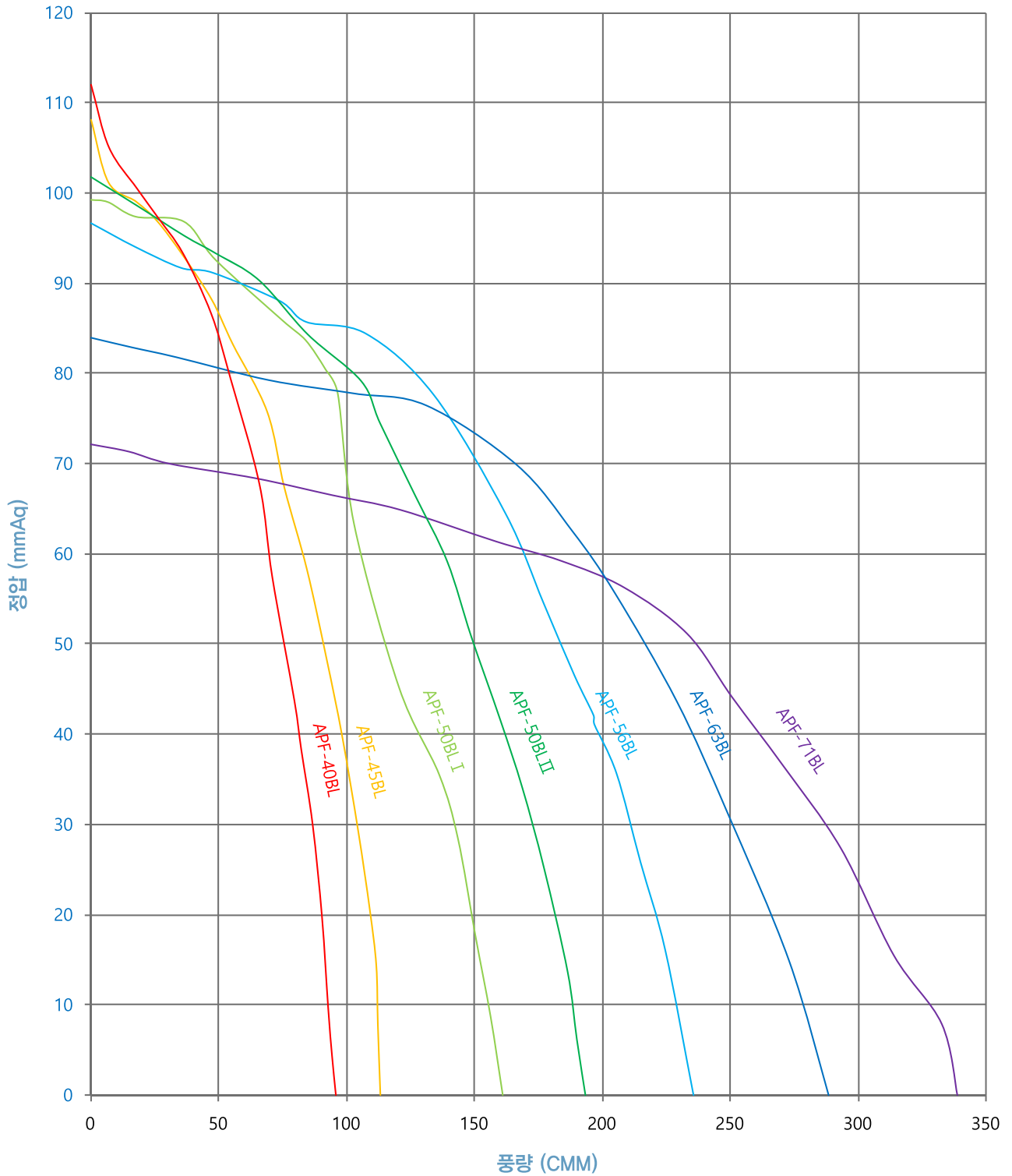
외형치수 (External Dimension)



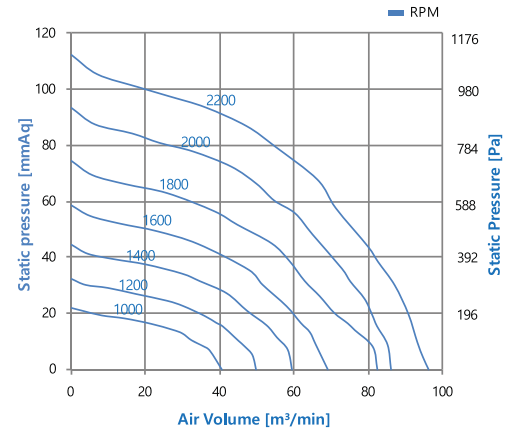
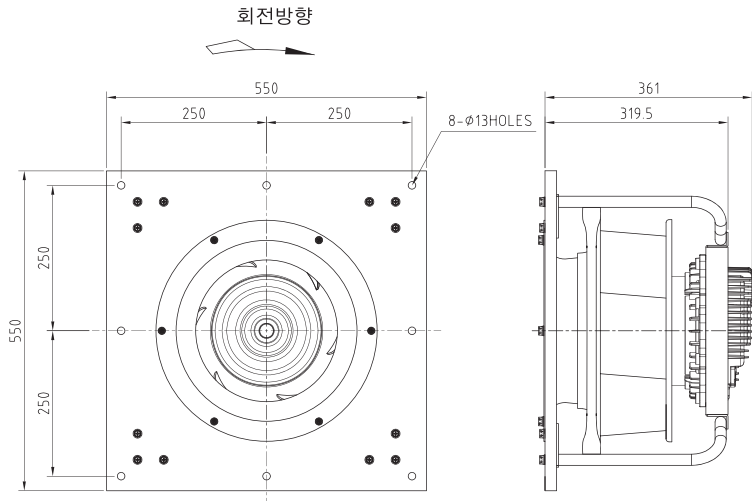
| 모델명 | A(A') | B(B') | C | D | E |
|-------------|-------|-------|-----|-----|---------------------|
| APF-40BL | 550 | 250 | 320 | 361 | 8- ϕ 13 HOLES |
| APF-45BL | 600 | 275 | 311 | 353 | 8- ϕ 13 HOLES |
| APF-50BL I | 630 | 290 | 358 | 400 | 8- ϕ 11 HOLES |
| APF-50BL II | 630 | 290 | 364 | 405 | 8- ϕ 11 HOLES |
| APF-56BL | 800 | 375 | 396 | 437 | 8- ϕ 13 HOLES |
| APF-63BL | 920 | 295 | 435 | 474 | 12- ϕ 13 HOLES |
| APF-71BL | 985 | 315 | 474 | 516 | 12- ϕ 13 HOLES |

▶ 대표 성능 곡선 (Performance Graph)

3상 BLDC 380V 60Hz



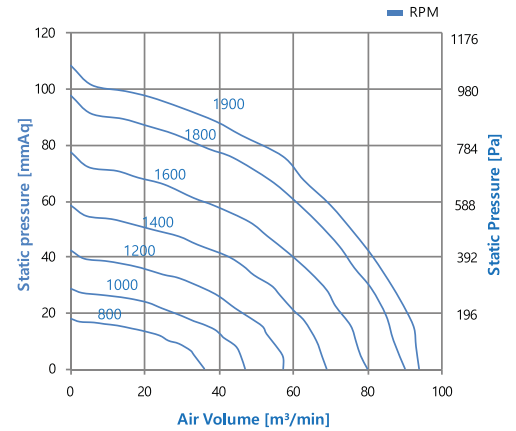
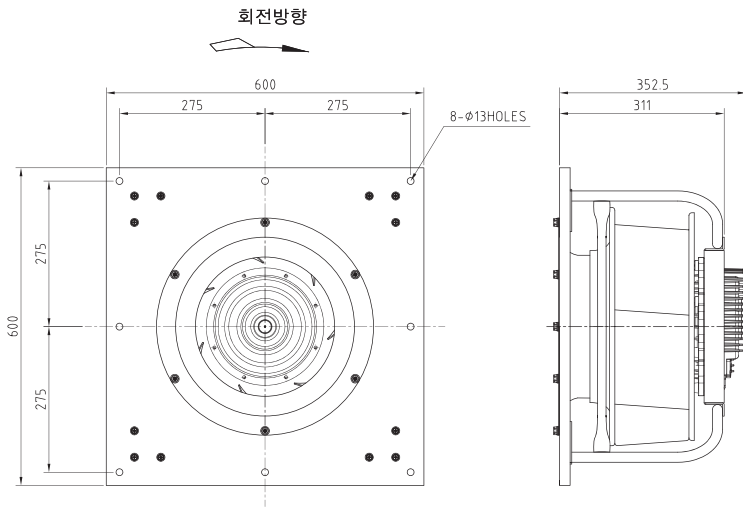
APF-40BL



표준사양 (Standard Specification)

| 회전속도 | | | 정압 | | | | | | | | | | | | | | | | | | |
|------|------|---------|-------|-------|-------|-------|-------|-------|-------|-------|-------|-----|------|-----|------|-----|------|-----|------|-----|--|
| | | | 10 | 98 | 20 | 196 | 30 | 294 | 40 | 392 | 50 | 490 | 60 | 588 | 70 | 686 | 80 | 784 | 90 | 882 | |
| RPM | | | mmAq | Pa | mmAq | Pa | mmAq | Pa | mmAq | Pa | mmAq | Pa | mmAq | Pa | mmAq | Pa | mmAq | Pa | mmAq | Pa | |
| 1000 | 풍량 | m³/min | 33 | | | | | | | | | | | | | | | | | | |
| | | ft³/min | 1,165 | | | | | | | | | | | | | | | | | | |
| | 소비전력 | W | 160 | | | | | | | | | | | | | | | | | | |
| 1200 | 풍량 | m³/min | 45 | 33 | | | | | | | | | | | | | | | | | |
| | | ft³/min | 1,589 | 1,165 | | | | | | | | | | | | | | | | | |
| | 소비전력 | W | 229 | 254 | | | | | | | | | | | | | | | | | |
| 1400 | 풍량 | m³/min | 56 | 48 | 37 | | | | | | | | | | | | | | | | |
| | | ft³/min | 1,977 | 1,694 | 1,306 | | | | | | | | | | | | | | | | |
| | 소비전력 | W | 320 | 350 | 375 | | | | | | | | | | | | | | | | |
| 1600 | 풍량 | m³/min | 66 | 58 | 51 | 41 | | | | | | | | | | | | | | | |
| | | ft³/min | 2,330 | 2,047 | 1,800 | 1,447 | | | | | | | | | | | | | | | |
| | 소비전력 | W | 430 | 475 | 505 | 520 | | | | | | | | | | | | | | | |
| 1800 | 풍량 | m³/min | 80 | 71 | 63 | 58 | 47 | 33 | | | | | | | | | | | | | |
| | | ft³/min | 2,824 | 2,506 | 2,224 | 2,047 | 1,659 | 1,165 | | | | | | | | | | | | | |
| | 소비전력 | W | 575 | 635 | 670 | 710 | 730 | 680 | | | | | | | | | | | | | |
| 2000 | 풍량 | m³/min | 230 | 220 | 210 | 200 | 185 | 55 | 45 | 25 | | | | | | | | | | | |
| | | ft³/min | 8,119 | 7,766 | 7,413 | 7,060 | 6,531 | 1,942 | 1,589 | 883 | | | | | | | | | | | |
| | 소비전력 | W | 2,200 | 2,320 | 2,500 | 2,600 | 2,800 | 995 | 950 | 830 | | | | | | | | | | | |
| 2200 | 풍량 | m³/min | 230 | 220 | 210 | 200 | 185 | 170 | 150 | 125 | 60 | | | | | | | | | | |
| | | ft³/min | 8,119 | 7,766 | 7,413 | 7,060 | 6,531 | 6,001 | 5,295 | 4,413 | 2,118 | | | | | | | | | | |
| | 소비전력 | W | 2,200 | 2,320 | 2,500 | 2,600 | 2,800 | 2,900 | 2,950 | 2,850 | 2,100 | | | | | | | | | | |

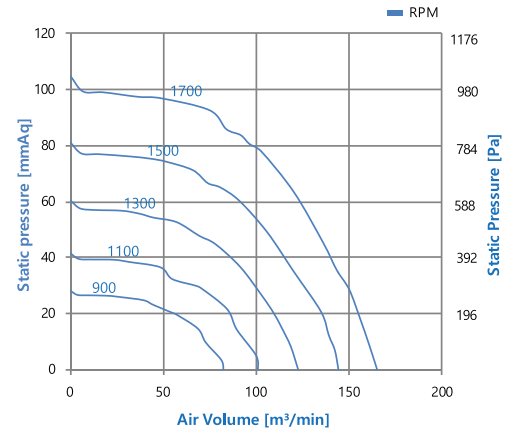
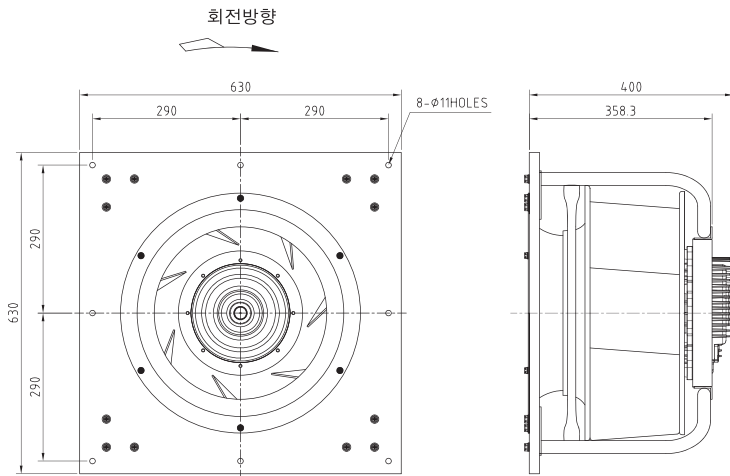
APF-45BL



표준사양 (Standard Specification)

| 회전속도 | | | 정압 | | | | | | | | | | | | | | | | | |
|------|------|---------|-------|-------|-------|-------|-------|-------|-------|-------|-------|-----|------|-----|------|-----|------|-----|------|-----|
| | | | 10 | 98 | 20 | 196 | 30 | 294 | 40 | 392 | 50 | 490 | 60 | 588 | 70 | 686 | 80 | 784 | 90 | 882 |
| RPM | | | mmAq | Pa | mmAq | Pa | mmAq | Pa | mmAq | Pa | mmAq | Pa | mmAq | Pa | mmAq | Pa | mmAq | Pa | mmAq | Pa |
| 800 | 풍량 | m³/min | 32 | | | | | | | | | | | | | | | | | |
| | | ft³/min | 1,130 | | | | | | | | | | | | | | | | | |
| | 소비전력 | W | 146 | | | | | | | | | | | | | | | | | |
| 1000 | 풍량 | m³/min | 50 | 30 | | | | | | | | | | | | | | | | |
| | | ft³/min | 1,765 | 1,059 | | | | | | | | | | | | | | | | |
| | 소비전력 | W | 235 | 247 | | | | | | | | | | | | | | | | |
| 1200 | 풍량 | m³/min | 65 | 55 | 39 | | | | | | | | | | | | | | | |
| | | ft³/min | 2,295 | 1,942 | 1,377 | | | | | | | | | | | | | | | |
| | 소비전력 | W | 340 | 390 | 400 | | | | | | | | | | | | | | | |
| 1400 | 풍량 | m³/min | 79 | 73 | 65 | 51 | 25 | | | | | | | | | | | | | |
| | | ft³/min | 2,789 | 2,577 | 2,295 | 1,800 | 883 | | | | | | | | | | | | | |
| | 소비전력 | W | 475 | 555 | 610 | 625 | 520 | | | | | | | | | | | | | |
| 1600 | 풍량 | m³/min | 92 | 88 | 80 | 72 | 60 | 42 | | | | | | | | | | | | |
| | | ft³/min | 3,248 | 3,106 | 2,824 | 2,542 | 2,118 | 1,483 | | | | | | | | | | | | |
| | 소비전력 | W | 660 | 750 | 850 | 890 | 900 | 840 | | | | | | | | | | | | |
| 1800 | 풍량 | m³/min | 105 | 100 | 95 | 89 | 82 | 73 | 60 | 40 | | | | | | | | | | |
| | | ft³/min | 3,707 | 3,530 | 3,354 | 3,142 | 2,895 | 2,577 | 2,118 | 1,412 | | | | | | | | | | |
| | 소비전력 | W | 900 | 1,000 | 1,100 | 1,150 | 1,260 | 1,270 | 1,260 | 1,100 | | | | | | | | | | |
| 1900 | 풍량 | m³/min | 111 | 109 | 104 | 98 | 90 | 82 | 73 | 60 | 43 | | | | | | | | | |
| | | ft³/min | 3,918 | 3,848 | 3,671 | 3,459 | 3,177 | 2,895 | 2,577 | 2,118 | 1,518 | | | | | | | | | |
| | 소비전력 | W | 1,000 | 1,110 | 1,230 | 1,300 | 1,410 | 1,450 | 1,450 | 1,450 | 1,330 | | | | | | | | | |

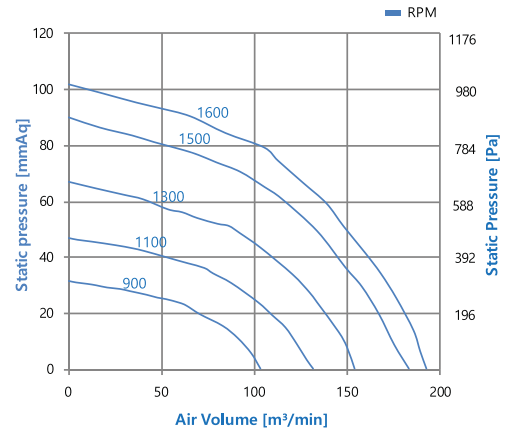
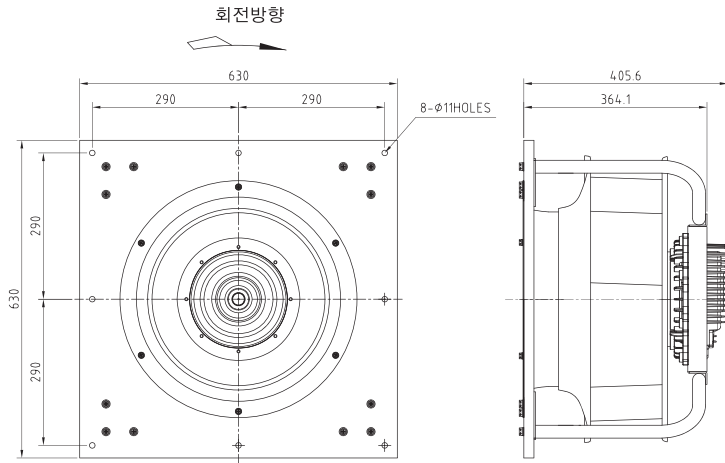
APF-50BL I



표준사양 (Standard Specification)

| 회전속도 | | | 정압 | | | | | | | | | | | | | | | | | |
|------|------|---------|-------|-------|-------|-------|-------|-------|-------|-------|-------|-----|------|-----|------|-----|------|-----|------|-----|
| | | | 10 | 98 | 20 | 196 | 30 | 294 | 40 | 392 | 50 | 490 | 60 | 588 | 70 | 686 | 80 | 784 | 90 | 882 |
| RPM | | | mmAq | Pa | mmAq | Pa | mmAq | Pa | mmAq | Pa | mmAq | Pa | mmAq | Pa | mmAq | Pa | mmAq | Pa | mmAq | Pa |
| 900 | 풍량 | m³/min | 70 | 55 | | | | | | | | | | | | | | | | |
| | | ft³/min | 2,471 | 1,942 | | | | | | | | | | | | | | | | |
| | 소비전력 | W | 325 | 356 | | | | | | | | | | | | | | | | |
| 1100 | 풍량 | m³/min | 94 | 85 | 67 | | | | | | | | | | | | | | | |
| | | ft³/min | 3,318 | 3,001 | 2,365 | | | | | | | | | | | | | | | |
| | 소비전력 | W | 550 | 630 | 653 | | | | | | | | | | | | | | | |
| 1300 | 풍량 | m³/min | 117 | 110 | 98 | 85 | 63 | | | | | | | | | | | | | |
| | | ft³/min | 4,130 | 3,883 | 3,459 | 3,001 | 2,224 | | | | | | | | | | | | | |
| | 소비전력 | W | 800 | 864 | 950 | 1,000 | 950 | | | | | | | | | | | | | |
| 1500 | 풍량 | m³/min | 141 | 135 | 125 | 115 | 105 | 91 | 68 | | | | | | | | | | | |
| | | ft³/min | 4,977 | 4,766 | 4,413 | 4,060 | 3,707 | 3,212 | 2,400 | | | | | | | | | | | |
| | 소비전력 | W | 1,100 | 1,220 | 1,350 | 1,450 | 1,525 | 1,588 | 1,450 | | | | | | | | | | | |
| 1700 | 풍량 | m³/min | 160 | 155 | 148 | 140 | 132 | 123 | 112 | 97 | 78 | | | | | | | | | |
| | | ft³/min | 5,648 | 5,472 | 5,224 | 4,942 | 4,660 | 4,342 | 3,954 | 3,424 | 2,753 | | | | | | | | | |
| | 소비전력 | W | 1,550 | 1,670 | 1,820 | 1,950 | 2,100 | 2,150 | 2,200 | 2,200 | 2,100 | | | | | | | | | |

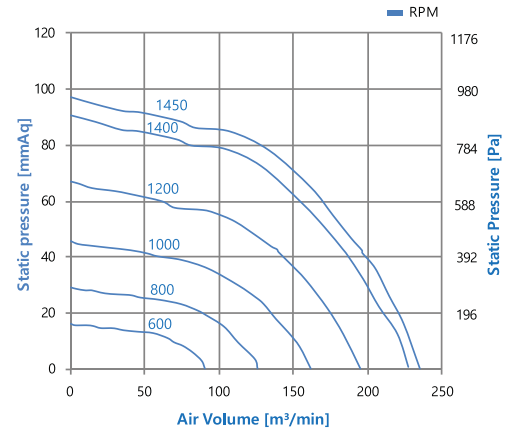
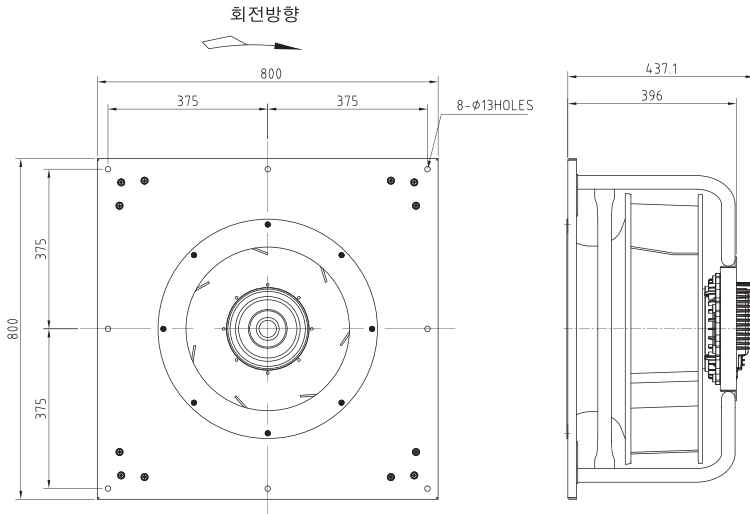
APF-50BL II



표준 사양 (Standard Specification)

| 회전속도 | | | 정압 | | | | | | | | | | | | | | | | | |
|------|------|---------|-------|-------|-------|-------|-------|-------|-------|-------|-------|-----|------|-----|------|-----|------|-----|------|-----|
| | | | 10 | 98 | 20 | 196 | 30 | 294 | 40 | 392 | 50 | 490 | 60 | 588 | 70 | 686 | 80 | 784 | 90 | 882 |
| RPM | | | mmAq | Pa | mmAq | Pa | mmAq | Pa | mmAq | Pa | mmAq | Pa | mmAq | Pa | mmAq | Pa | mmAq | Pa | mmAq | Pa |
| 900 | 풍량 | m³/min | 92 | 70 | | | | | | | | | | | | | | | | |
| | | ft³/min | 3,248 | 2,471 | | | | | | | | | | | | | | | | |
| | 소비전력 | W | 400 | 445 | | | | | | | | | | | | | | | | |
| 1100 | 풍량 | m³/min | 123 | 108 | 88 | 52 | | | | | | | | | | | | | | |
| | | ft³/min | 4,342 | 3,812 | 3,106 | 1,836 | | | | | | | | | | | | | | |
| | 소비전력 | W | 620 | 720 | 785 | 688 | | | | | | | | | | | | | | |
| 1300 | 풍량 | m³/min | 148 | 138 | 125 | 110 | 88 | 40 | | | | | | | | | | | | |
| | | ft³/min | 5,224 | 4,871 | 4,413 | 3,883 | 3,106 | 1,412 | | | | | | | | | | | | |
| | 소비전력 | W | 960 | 1,080 | 1,180 | 1,250 | 1,265 | 955 | | | | | | | | | | | | |
| 1500 | 풍량 | m³/min | 175 | 167 | 157 | 145 | 132 | 116 | 93 | 50 | | | | | | | | | | |
| | | ft³/min | 6,178 | 5,895 | 5,542 | 5,119 | 4,660 | 4,095 | 3,283 | 1,765 | | | | | | | | | | |
| | 소비전력 | W | 1,430 | 1,550 | 1,670 | 1,800 | 1,930 | 1,930 | 1,845 | 1,500 | | | | | | | | | | |
| 1600 | 풍량 | m³/min | 190 | 181 | 172 | 162 | 150 | 138 | 120 | 105 | 66 | | | | | | | | | |
| | | ft³/min | 6,707 | 6,389 | 6,072 | 5,719 | 5,295 | 4,871 | 4,236 | 3,707 | 2,330 | | | | | | | | | |
| | 소비전력 | W | 1,700 | 1,800 | 1,900 | 2,070 | 2,200 | 2,300 | 2,300 | 2,300 | 1,990 | | | | | | | | | |

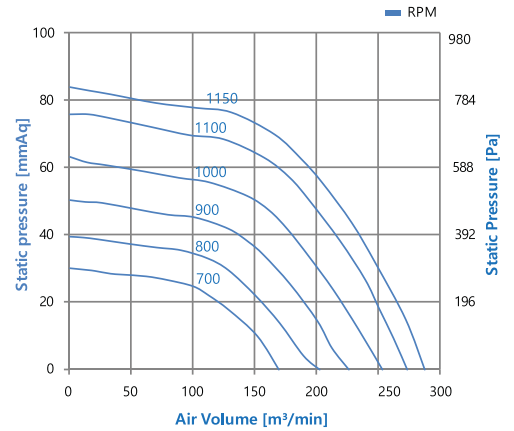
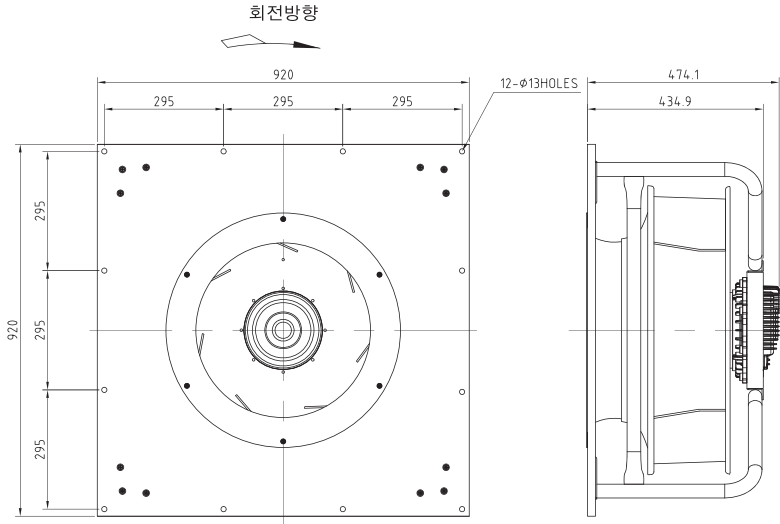
APF-56BL



표준사양 (Standard Specification)

| 회전속도 | | | 정압 | | | | | | | | | | | | | | | | | |
|------|------|---------|-------|-------|-------|-------|-------|-------|-------|-------|-------|-----|------|-----|------|-----|------|-----|------|-----|
| | | | 10 | 98 | 20 | 196 | 30 | 294 | 40 | 392 | 50 | 490 | 60 | 588 | 70 | 686 | 80 | 784 | 90 | 882 |
| RPM | | | mmAq | Pa | mmAq | Pa | mmAq | Pa | mmAq | Pa | mmAq | Pa | mmAq | Pa | mmAq | Pa | mmAq | Pa | mmAq | Pa |
| 600 | 풍량 | m³/min | 69 | | | | | | | | | | | | | | | | | |
| | | ft³/min | 2,436 | | | | | | | | | | | | | | | | | |
| | 소비전력 | W | 245 | | | | | | | | | | | | | | | | | |
| 800 | 풍량 | m³/min | 110 | 86 | | | | | | | | | | | | | | | | |
| | | ft³/min | 3,883 | 3,036 | | | | | | | | | | | | | | | | |
| | 소비전력 | W | 470 | 530 | | | | | | | | | | | | | | | | |
| 1000 | 풍량 | m³/min | 150 | 133 | 112 | 58 | | | | | | | | | | | | | | |
| | | ft³/min | 5,295 | 4,695 | 3,954 | 2,047 | | | | | | | | | | | | | | |
| | 소비전력 | W | 800 | 920 | 985 | 830 | | | | | | | | | | | | | | |
| 1200 | 풍량 | m³/min | 188 | 175 | 160 | 143 | 118 | 60 | | | | | | | | | | | | |
| | | ft³/min | 6,636 | 6,178 | 5,648 | 5,048 | 4,165 | 2,118 | | | | | | | | | | | | |
| | 소비전력 | W | 1,300 | 1,400 | 1,540 | 1,640 | 1,650 | 1,325 | | | | | | | | | | | | |
| 1400 | 풍량 | m³/min | 225 | 210 | 200 | 187 | 172 | 155 | 135 | 81 | | | | | | | | | | |
| | | ft³/min | 7,943 | 7,413 | 7,060 | 6,601 | 6,072 | 5,472 | 4,766 | 2,859 | | | | | | | | | | |
| | 소비전력 | W | 2,000 | 2,110 | 2,300 | 2,426 | 2,545 | 2,625 | 2,650 | 2,165 | | | | | | | | | | |
| 1450 | 풍량 | m³/min | 230 | 220 | 210 | 200 | 185 | 170 | 150 | 125 | 60 | | | | | | | | | |
| | | ft³/min | 8,119 | 7,766 | 7,413 | 7,060 | 6,531 | 6,001 | 5,295 | 4,413 | 2,118 | | | | | | | | | |
| | 소비전력 | W | 2,200 | 2,320 | 2,500 | 2,600 | 2,800 | 2,900 | 2,950 | 2,100 | | | | | | | | | | |

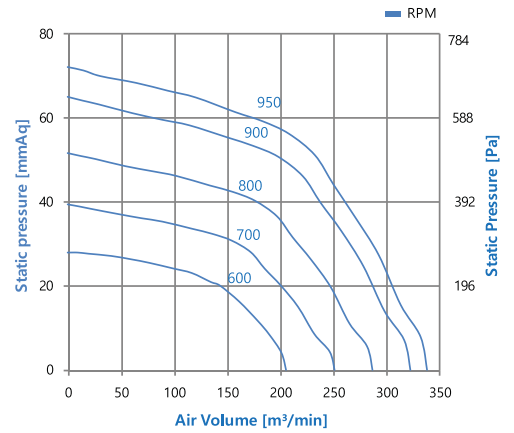
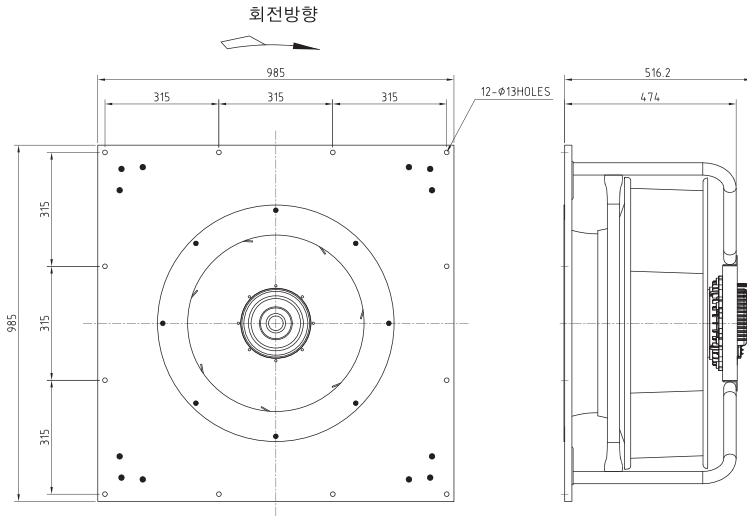
APF-63BL



표준 사양 (Standard Specification)

| 회전속도 | | | 정압 | | | | | | | | | | | | | | | |
|------|------|---------|-------|-------|-------|-------|-------|-------|-------|-------|------|-----|------|-----|------|-----|------|-----|
| | | | 10 | 98 | 20 | 196 | 30 | 294 | 40 | 392 | 50 | 490 | 60 | 588 | 70 | 686 | 80 | 784 |
| RPM | | | mmAq | Pa | mmAq | Pa | mmAq | Pa | mmAq | Pa | mmAq | Pa | mmAq | Pa | mmAq | Pa | mmAq | Pa |
| 700 | 풍량 | m³/min | 152 | 120 | | | | | | | | | | | | | | |
| | | ft³/min | 5,366 | 4,236 | | | | | | | | | | | | | | |
| | 소비전력 | W | 580 | 660 | | | | | | | | | | | | | | |
| 800 | 풍량 | m³/min | 178 | 155 | 128 | | | | | | | | | | | | | |
| | | ft³/min | 6,283 | 5,472 | 4,518 | | | | | | | | | | | | | |
| | 소비전력 | W | 830 | 950 | 980 | | | | | | | | | | | | | |
| 900 | 풍량 | m³/min | 210 | 190 | 168 | 135 | | | | | | | | | | | | |
| | | ft³/min | 7,413 | 6,707 | 5,930 | 4,766 | | | | | | | | | | | | |
| | 소비전력 | W | 1,100 | 1,230 | 1,340 | 1,380 | | | | | | | | | | | | |
| 1000 | 풍량 | m³/min | 238 | 220 | 200 | 180 | 150 | 30 | | | | | | | | | | |
| | | ft³/min | 8,401 | 7,766 | 7,060 | 6,354 | 5,295 | 1,059 | | | | | | | | | | |
| | 소비전력 | W | 1,300 | 1,400 | 1,780 | 1,880 | 1,890 | 950 | | | | | | | | | | |
| 1100 | 풍량 | m³/min | 263 | 250 | 233 | 215 | 195 | 165 | 97 | | | | | | | | | |
| | | ft³/min | 9,284 | 8,825 | 8,225 | 7,590 | 6,884 | 5,825 | 3,424 | | | | | | | | | |
| | 소비전력 | W | 1,890 | 2,100 | 2,250 | 2,400 | 2,520 | 2,500 | 2,050 | | | | | | | | | |
| 1150 | 풍량 | m³/min | 280 | 263 | 250 | 235 | 220 | 190 | 166 | 69 | | | | | | | | |
| | | ft³/min | 9,884 | 9,284 | 8,825 | 8,296 | 7,766 | 6,707 | 5,860 | 2,436 | | | | | | | | |
| | 소비전력 | W | 2,200 | 2,350 | 2,500 | 2,600 | 2,800 | 2,900 | 2,870 | 1,950 | | | | | | | | |

APF-71BL



표준사양 (Standard Specification)

| 회전속도 | | | 정압 | | | | | | | | | | | | | |
|------|------|---------|--------|--------|--------|-------|-------|-------|-------|-----|------|-----|------|-----|----|-----|
| | | | 10 | 98 | 20 | 196 | 30 | 294 | 40 | 392 | 50 | 490 | 60 | 588 | 70 | 686 |
| RPM | | | mmAq | Pa | mmAq | Pa | mmAq | Pa | mmAq | Pa | mmAq | Pa | mmAq | Pa | | |
| 600 | 풍량 | m³/min | 152 | 144 | | | | | | | | | | | | |
| | | ft³/min | 5,366 | 5,083 | | | | | | | | | | | | |
| | 소비전력 | W | 660 | 760 | | | | | | | | | | | | |
| 700 | 풍량 | m³/min | 230 | 200 | 150 | | | | | | | | | | | |
| | | ft³/min | 8,119 | 7,060 | 5,295 | | | | | | | | | | | |
| | 소비전력 | W | 1020 | 1140 | 1200 | | | | | | | | | | | |
| 800 | 풍량 | m³/min | 265 | 245 | 211 | 175 | | | | | | | | | | |
| | | ft³/min | 9,355 | 8,649 | 7,448 | 6,178 | | | | | | | | | | |
| | 소비전력 | W | 1,410 | 1,700 | 1,750 | 1,790 | | | | | | | | | | |
| 900 | 풍량 | m³/min | 310 | 280 | 260 | 238 | 195 | 89 | | | | | | | | |
| | | ft³/min | 10,943 | 9,884 | 9,178 | 8,401 | 6,884 | 3,142 | | | | | | | | |
| | 소비전력 | W | 1,850 | 2,150 | 2,400 | 2,500 | 2,550 | 1,830 | | | | | | | | |
| 950 | 풍량 | m³/min | 330 | 308 | 290 | 260 | 235 | 183 | 31 | | | | | | | |
| | | ft³/min | 11,649 | 10,872 | 10,237 | 9,178 | 8,296 | 6,460 | 1,094 | | | | | | | |
| | 소비전력 | W | 2,150 | 2,450 | 2,700 | 2,400 | 1,950 | 2,840 | 1,320 | | | | | | | |



- ※ 본 제품의 사양은 품질개선을 위하여 예고 없이 변경 될 수 있습니다.
Specifications or data of all the products are possible to be changed without notice for quality improvement and development.
- ※ 당사와의 협의 없이 본 내용을 복제 시 법의 저촉을 받습니다.
It is against the law to reproduce or copy the products and contents without consulting us.



경진부로아(주)
KYUNG JIN BLOWER CO., LTD.

본사 · 제1공장
인천광역시 남동구 청능대로 353 (고잔동, 남동공단 74B-13L)
T. 032 814 7100 F. 032 814-6327
E. domsales@kyungjin.net

제2공장
인천광역시 남동구 청능대로 353 (고잔동, 남동공단 74B-14L)
T. 032 815 9797 F. 032 818 0742



KYUNG JIN BLOWER CO., LTD.

Main Office, 1st Plant

Cheongneung-daero 353, Namdong-gu, Incheon, Korea
(Gojan-dong, Namdong Ind. Complex 74BL-13L)
T. +82 32 814 7100 F. +82 32 814 6327
E. oversales@kyungjin.net

2nd Plant

Cheongneung-daero 353, Namdong-gu, Incheon, Korea
(Gojan-dong, Namdong Ind. Complex 74BL-14L)
T. +82 32 815 9797 F. +82 32 818 0742