

VENTILATORS FOR ELEVATOR

Characteristics

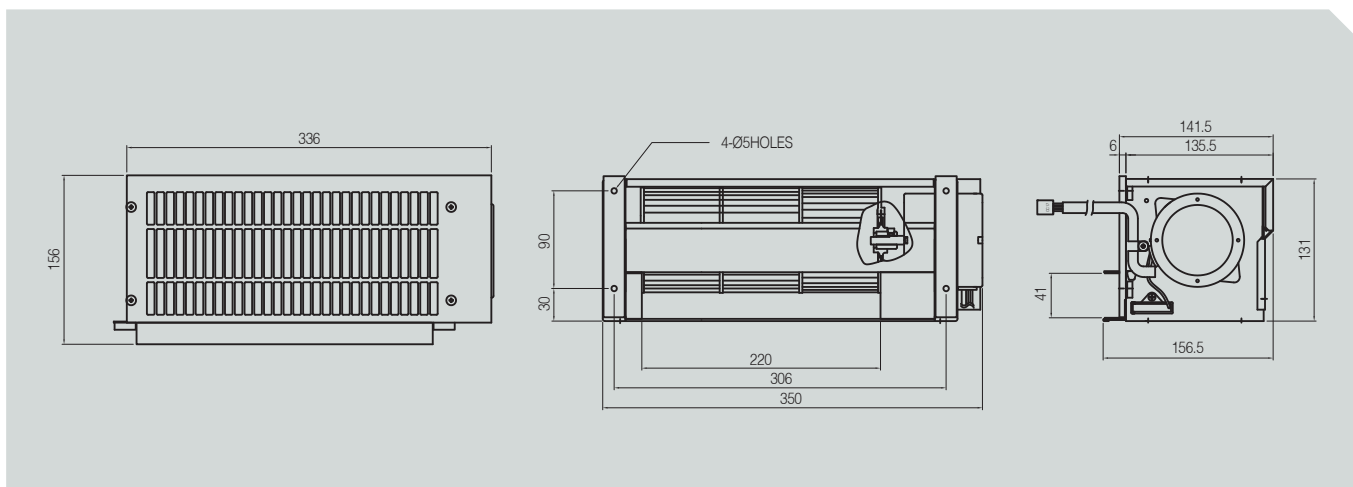
- Highly efficient cross-flow fan with low noise level applied
- Suitable for the environment where high airflow per unit area is necessary
- Designed and manufactured to be applied for ventilation inside the elevators
- Lower electricity consumed relative to the airflow (High efficiency)
- Specifications available to be customized per required capacity of the elevators
- Possible to choose a commercial, filter or anion type



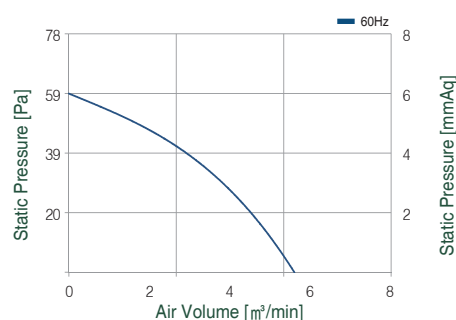
Product data

MODEL		Static Pressure		Air Volume	Noise	Option		Page
		Pa	mmAq	m ³ /min	dB(A)	filter	anion	
AC-097-030	Passengers under 9	59	6	4.0	47	O	O	137p
AC-097-040	Passengers under 15	59	6	5.2	44	O	O	
AC-097-050	Passengers under 24	59	6	7.5	50	O	O	138p

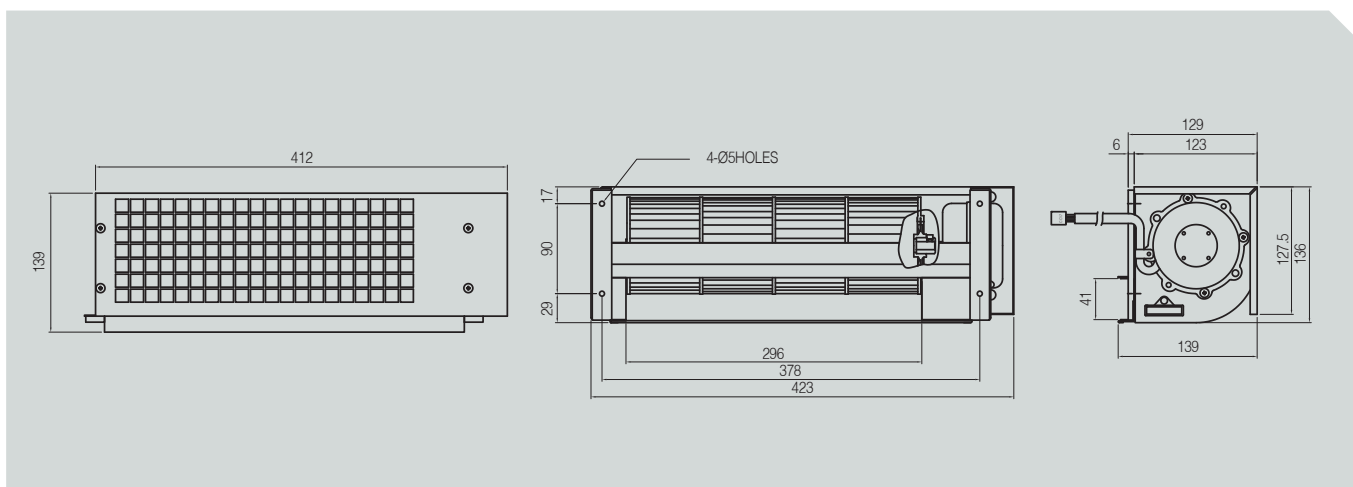
• AC-097-030



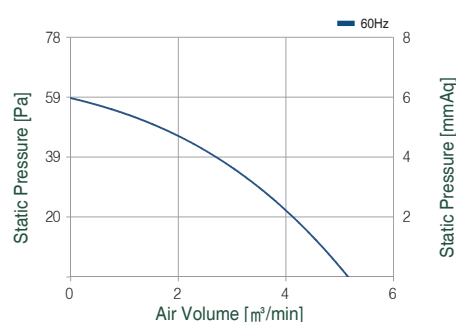
Power source			Static Pressure Pa	Air Volume CMM	Input power W	Current A	Rotative speed RPM
Phase	V	Hz					
∅ 1	220	60Hz	59	4.0	20	0.15	1410
	110					0.25	1460



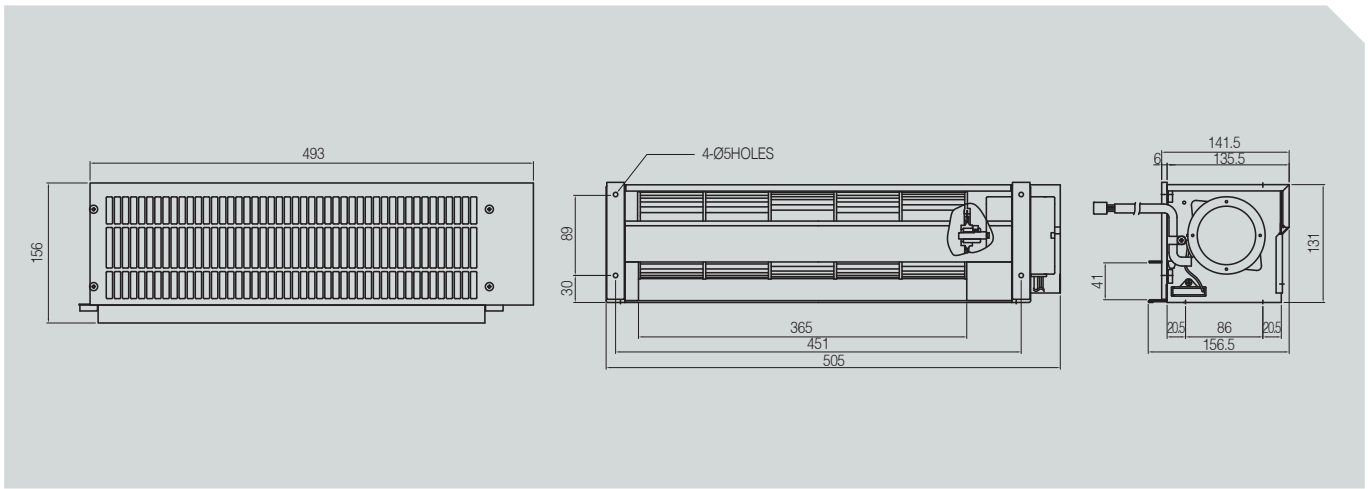
• AC-097-040



Power source			Static Pressure Pa	Air Volume CMM	Input power W	Current A	Rotative speed RPM
Phase	V	Hz					
∅ 1	220	60Hz	59	5.2	20	0.15	1140
	110					0.30	



• AC-097-050



Power source			Static Pressure Pa	Air Volume CMM	Input power W	Current A	Rotative speed RPM
Phase	V	Hz					
	220					0.15	
∅ 1	60Hz		59	7.5	30		1480
	110					0.30	

