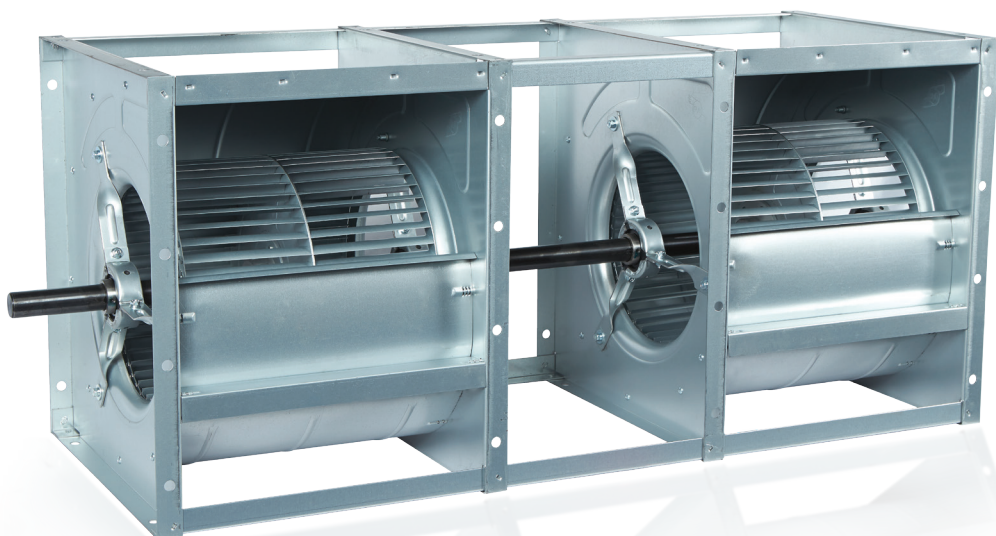


V-BELT DRIVE TWIN TYPE CENTRIFUGAL FANS

Characteristics

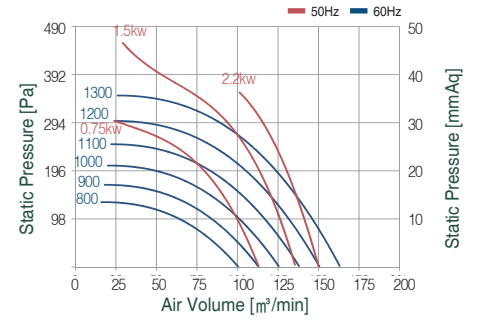
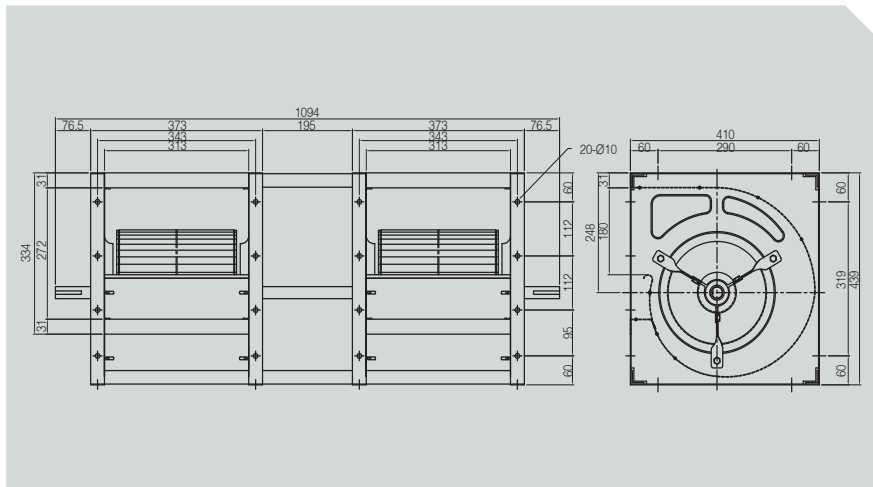
- Various specifications available for choice in accordance to the change of pulley requirements
- Easy installation and handling due to standardization of the structure
- Product longevity extended and level of noise lowered by mounting high-performing bearings
- Vibration and structural strength improved by three-point bearing support system
- Due to structure of the fixed-bearing brackets made detachable, repair and A/S made easier



Product data

MODEL	Motor Power		Static Pressure		Air Volume	Page
	kw	HP	Pa	mmAq	m ³ /min	
V-AS110DX2	3.7	5	421	43	163	69p
V-AS122DX2	5.5	7.5	490	50	218	70p
V-AS155DX2	11	15	794	81	430	71p
V-AS188DX2	11	15	960	98	620	72p

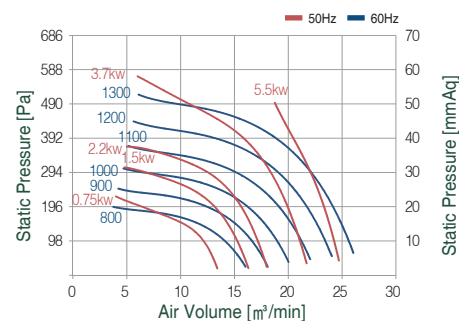
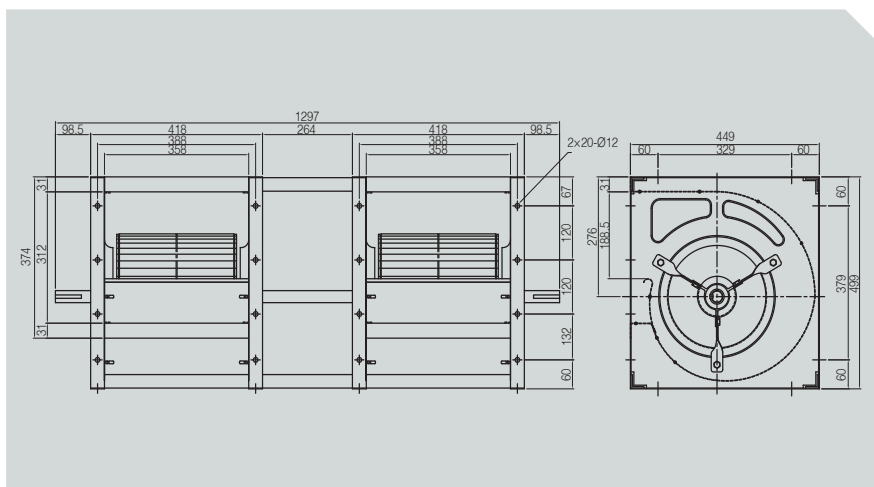
• V-AS110DX2



Rotative speed		Static Pressure					
RPM		98	10	196	20	294	30
		Pa	mmAq	Pa	mmAq	Pa	mmAq
800	Air Volume	65					
	MOTOR	1					
		0.75					
900	Air Volume	86					
	MOTOR	1					
		0.75					
1000	Air Volume	109		52			
	MOTOR	2		1			
		1.5		0.75			
1100	Air Volume	117		83			
	MOTOR	2		2			
		1.5		1.5			
1200	Air Volume	131		105		24	
	MOTOR	3		2		2	
		2.2		1.5		1.5	
1300	Air Volume	158		122		84	
	MOTOR	5		3		2	
		3.7		2.2		1.5	

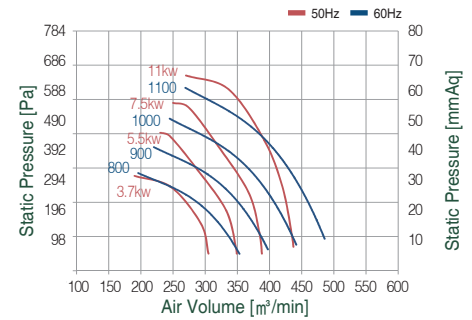
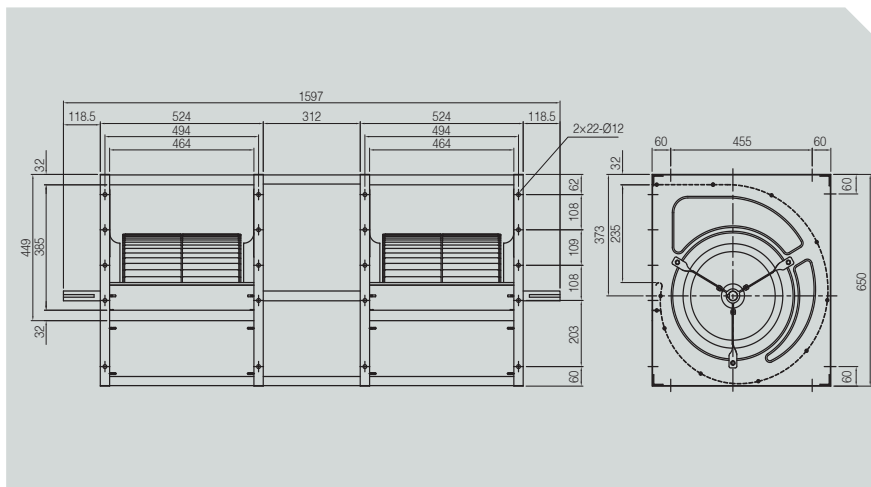
V-BELT DRIVE TWIN TYPE CENTRIFUGAL FANS

• V-AS122DX2



Rotative speed		Static Pressure									
RPM		98	10	196	20	294	30	392	40	490	50
		Pa	mmAq	Pa	mmAq	Pa	mmAq	Pa	mmAq	Pa	mmAq
800	Air Volume	140									
	MOTOR	2									
		1.5									
900	Air Volume	175		123							
	MOTOR	3		2							
		2.2		1.5							
1000	Air Volume	191		162		67					
	MOTOR	5		5		2					
		3.7		3.7		1.5					
1100	Air Volume	214		191		153					
	MOTOR	7.5		5		5					
		5.5		3.7		3.7					
1200	Air Volume	236		216		190		127		68	
	MOTOR	7.5		7.5		7.5		5		5	
		5.5		5.5		5.5		3.7		3.7	
1300	Air Volume	258		242		222		188		98	
	MOTOR	10		10		10		7.5		5	
		7.5		7.5		7.5		5.5		3.7	

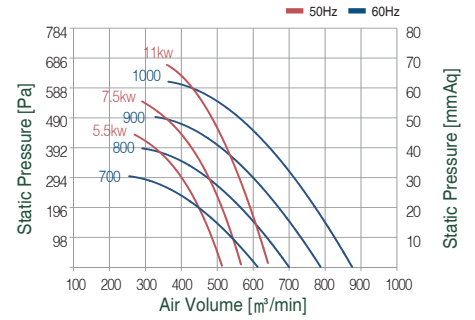
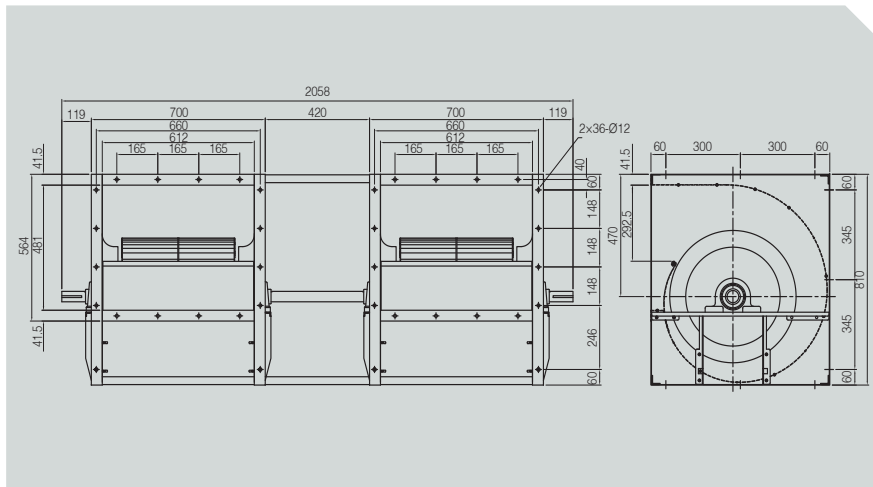
• V-AS155DX2



Rotative speed		Static Pressure											
RPM		98	10	196	20	294	30	392	40	490	50	588	60
		Pa	mmAq	Pa	mmAq	Pa	mmAq	Pa	mmAq	Pa	mmAq	Pa	mmAq
800	Air Volume	m³/min		287		66							
	MOTOR	HP		7.5		5							
	MOTOR	kw		5.5		3.7							
900	Air Volume	m³/min		350		285		62					
	MOTOR	HP		5		5		5					
	MOTOR	kw		3.7		3.7		3.7					
1000	Air Volume	m³/min		408		366		292		64			
	MOTOR	HP		15		15		10		7.5			
	MOTOR	kw		11		11		7.5		5.5			
1100	Air Volume	m³/min						381		308		72	
	MOTOR	HP						15		15		10	
	MOTOR	kw						11		11		7.5	

V-BELT DRIVE TWIN TYPE CENTRIFUGAL FANS

• V-AS188DX2



Rotative speed		Static Pressure													
RPM		98	10	196	20	294	30	392	40	490	50	588	60	686	70
		Pa	mmAq	Pa	mmAq	Pa	mmAq	Pa	mmAq	Pa	mmAq	Pa	mmAq	Pa	mmAq
700	Air Volume	540		447		255									
	MOTOR	10		7.5		5									
		7.5		5.5		3.7									
800	Air Volume			562		474		290							
	MOTOR			15		10		7.5							
				11		7.5		5.5							
900	Air Volume							510		335		93			
	MOTOR							15		10		10			
								11		7.5		7.5			
1000	Air Volume											430		130	
	MOTOR											15		10	
												11		7.5	