

STANDARD AIR CURTAINS WITH HEATER

Characteristics

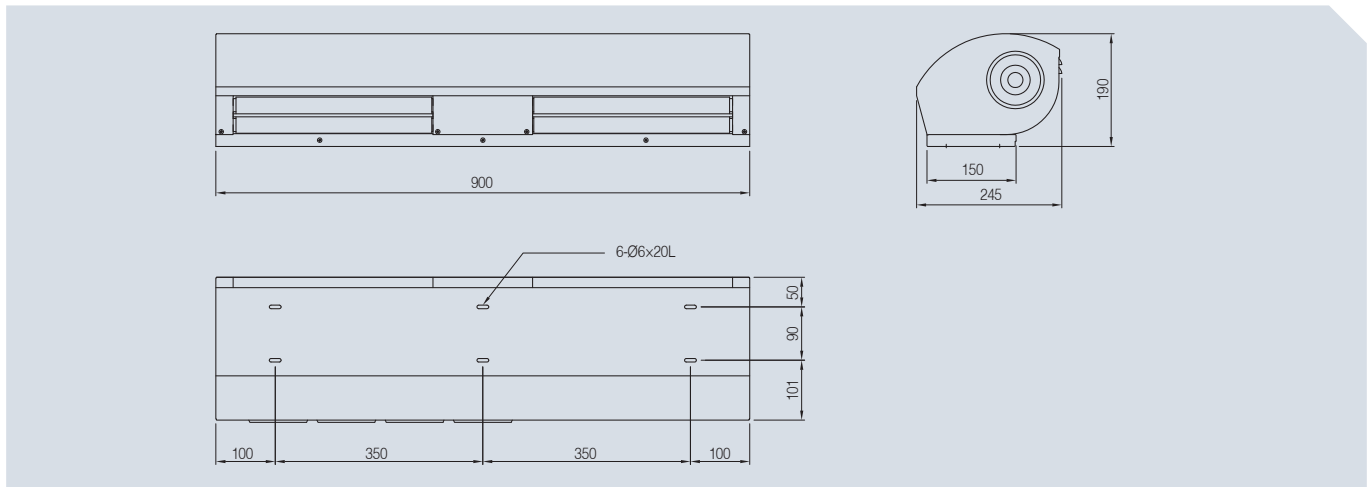
- Advantages of the standard air curtains maximized
- PTC heater with less risk of overheating and fire used
- Automatic cooling function after shutdown applied
- Self-control function applied to make it suitable for the use in an automatic door without additional control panel required
- Sensors to detect risk of fire and electric leakage mounted



Product data

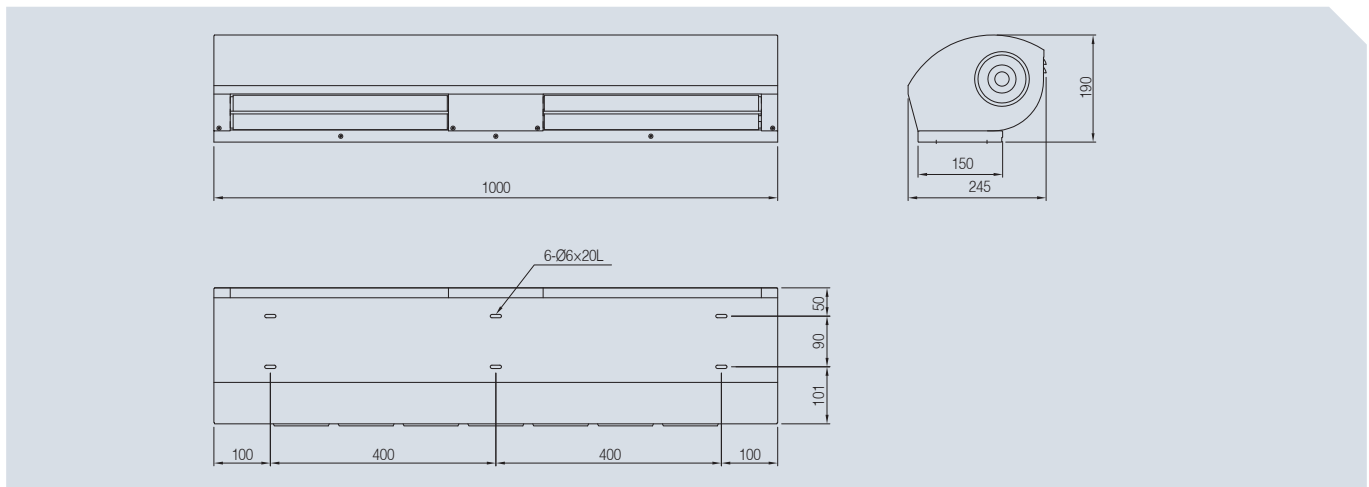
MODEL	Power source		Air Speed	Input power	heater	heater type	Page
	Phase	V	m/s	kw	kw		
ACH-120-900	3 (4 wires)	380	9.1	6.5	6	PTC	167p
ACH-120-1000			8.9	7.5	7		
ACH-120-1200			8.6	8.5	8		

• ACH-120-900



Power source			SPEED	Air Speed	Input power	Current	heater	Noise	Weight
Phase	V	Hz	STEP	m/s	kw	A	kw	dB	Kg
φ 3	380	60Hz	HI	9.1	6.5	10.0	6	64	15
			LO	8.1	6.3	9.4		61	

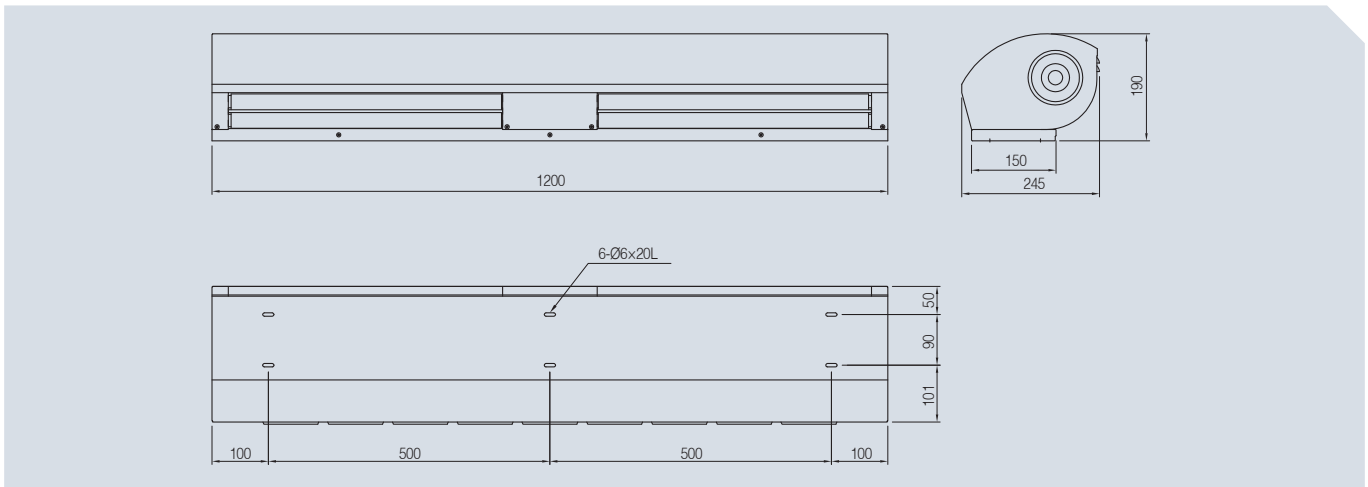
• ACH-120-1000



Power source			SPEED	Air Speed	Input power	Current	heater	Noise	Weight
Phase	V	Hz	STEP	m/s	kw	A	kw	dB	Kg
φ 1	380	60Hz	HI	8.9	7.5	11.5	7	65	16
			LO	8.3	7.3	11.2		62	

STANDARD AIR CURTAINS
WITH HEATER

• ACH-120-1200



Power source			SPEED STEP	Air Speed m/s	Input power kw	Current A	heater kw	Noise dB	Weight Kg
Phase	V	Hz							
3	380	60Hz	HI	8.6	8.5	12.5	8	66	18
			LO	8.1	8.3	12.2		63	