

PORTABLE WELDING FUME PRECIPITATORS

Characteristics

- Introduced as a new welding fume precipitator incorporated with self-removal function of pollutants
- By use of high-efficiency filter, excellent performance achieved in terms of protecting users from hazardous substances generated during welding
- Permanently used with the exchange of filters
- Easy handling and carrying without restrictions in place due to wheels
- With adjustable direction of inlet, efficiency of dust chamber maximized
- By adaptor installed to join suction / discharge part, easy to connect with flexible metal conduit
- High suction performance ensured even from the distance



AWD-300C (Cart type)



AWD-300S (Stand type)

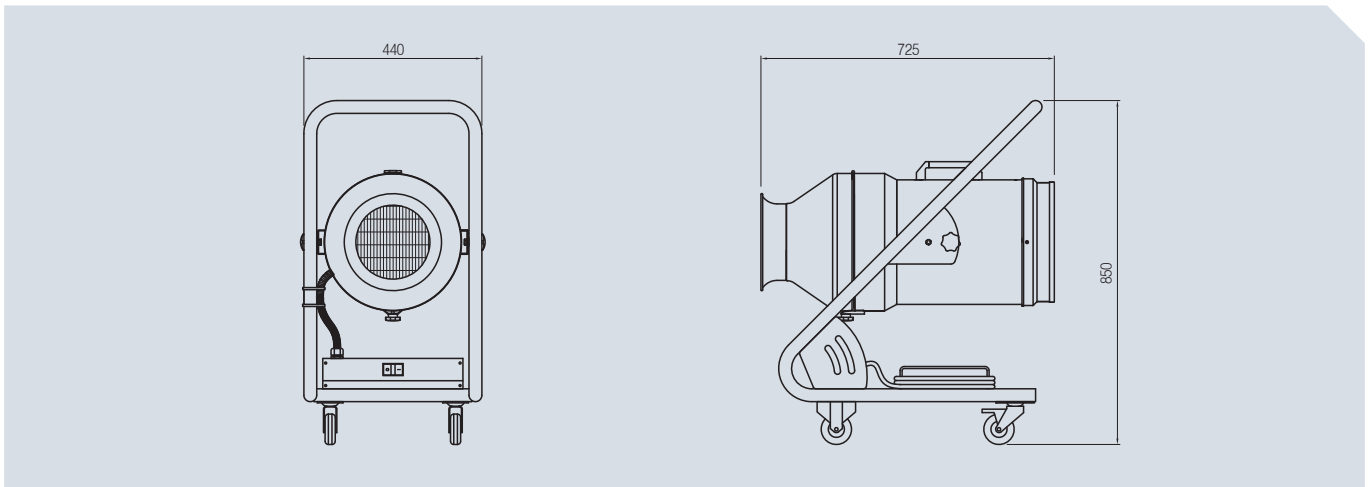


AWD-300T (Table type)

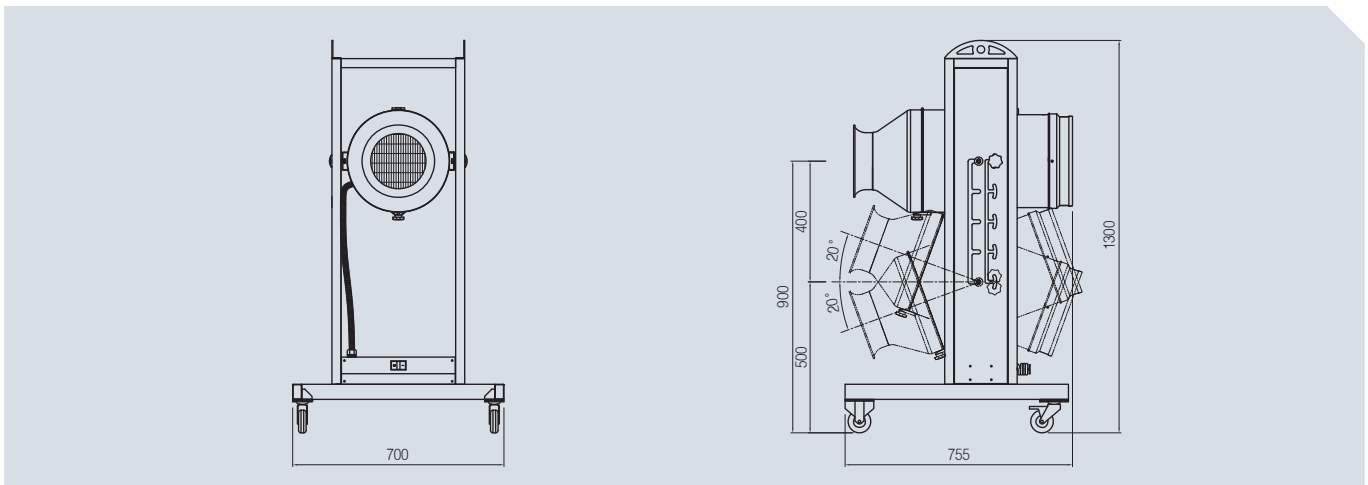
Product data

MODEL	Air Volume	Static Pressure		Motor power	FILTER	SIZE	Page
	m ³ /min	Pa	mmAq	kw		mm	
AWD-300C	25	1568	160	0.75	HEPA FILTER	W440×D725×H850	35p
AWD-300S						W440×D755×H1300	
AWD-300T						W440×D725×H550	

• AWD-300C (Cart type)



• AWD-300S (Stand type)



• AWD-300T (Table type)

