

OUTER ROTOR SINGLE INLET DIRECT DRIVE CENTRIFUGAL FANS (BLDC)

Characteristics

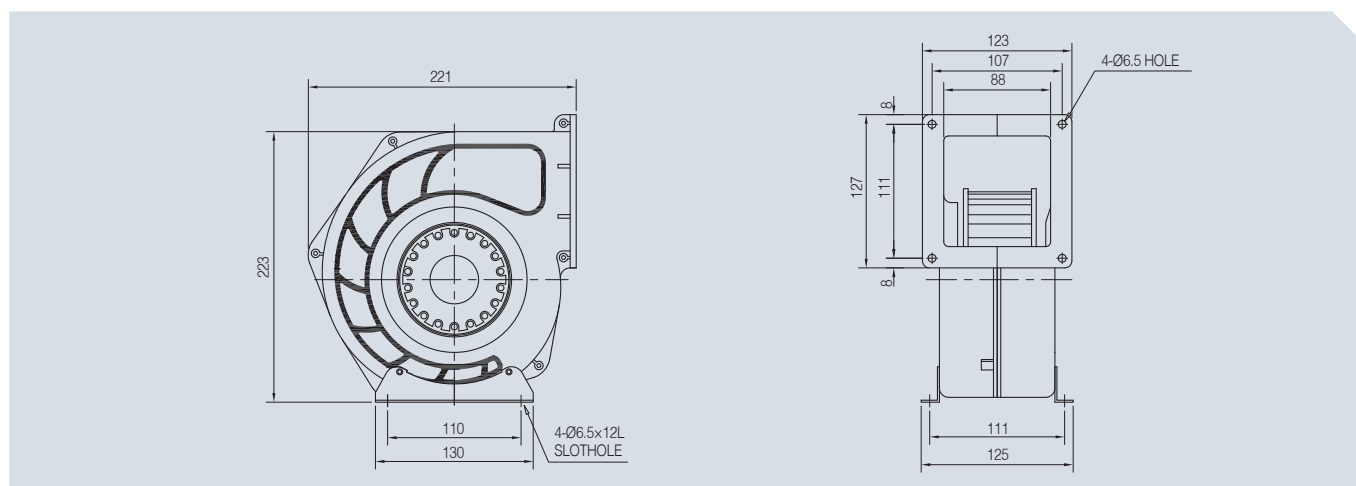
- Appropriately used in the following devices:
 - Air transport system for heat exchangers and range hood
 - Cooling system for electronic and communication equipment
- For ease of handling and installation, miniaturization and light-weight of the fan achieved through integrated design of structure
- Regardless of frequency, speed control possible
- Excellent product reliability ensured by illumination process
- Excellent energy rating achieved due to low electricity consumption (high efficiency) relative to air volume



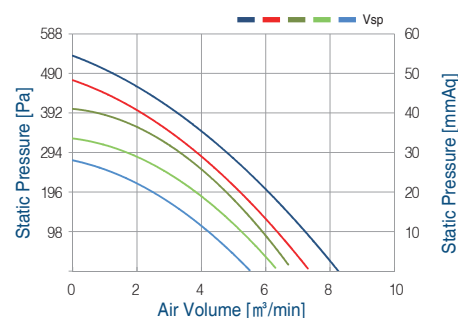
Product data

MODEL	Static Pressure		Air Volume	Page
	Pa	mmAq	m ³ /min	
AOS2S-145-60A	529	54	8.3	107p
AOS2S-160-60A	715	73	10.5	
AOS2S-180-75A	568	58	11.8	
ABS2D-145-150A	470	48	10.1	108p
ABS2D-185-100A	608	62	11.3	109p

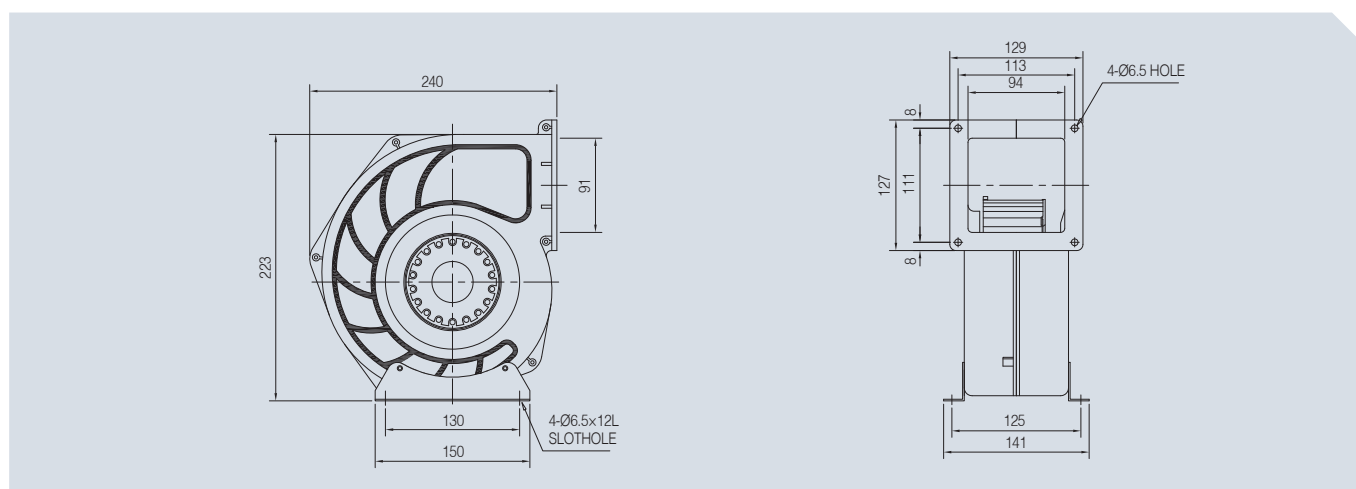
• AOS2S-145-60A (BLDC)



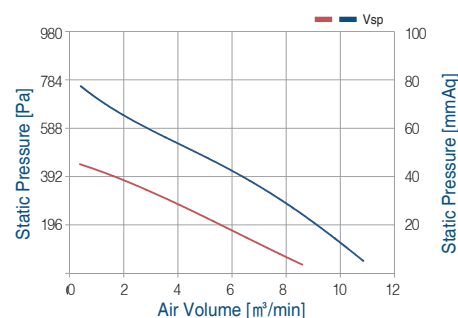
Power source			Vsp (VDC)	Air Volume	Input power	Rotative speed
Phase	V	Hz	V	m³/min	W	RPM
φ 1	220	60Hz / 50Hz	5.0	8.3	70	1800
			4.5	7.3	60	1780
			4.0	7.0	50	1680
			3.6	6.7	40	1560
			3.2	6.2	30	1490



• AOS2S-160-60A (BLDC)

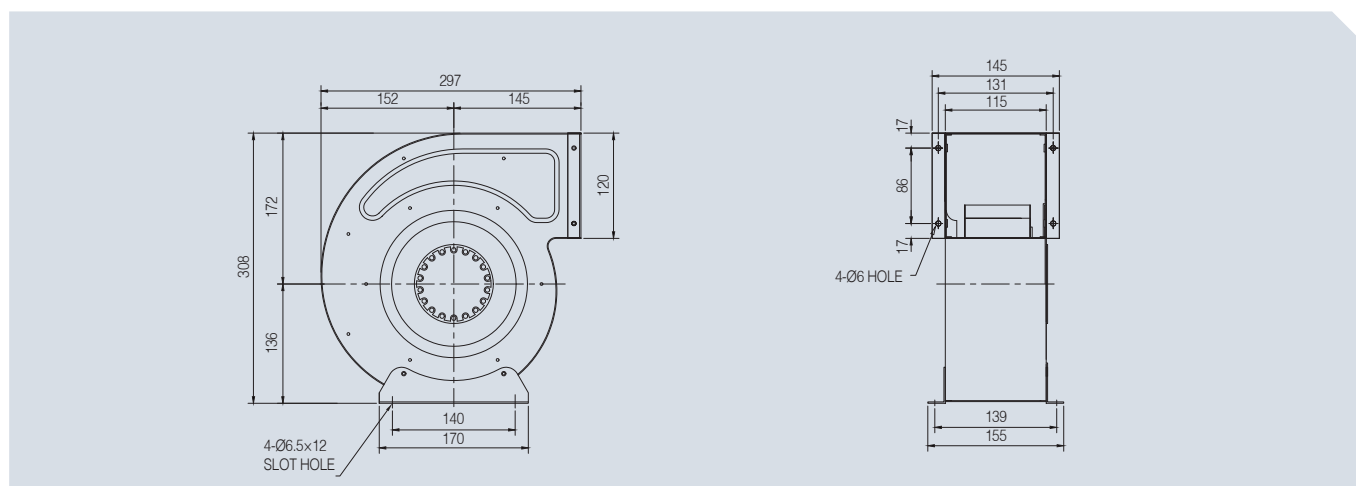


Power source			Vsp (VDC)	Air Volume	Input power	Rotative speed
Phase	V	Hz	V	m³/min	W	RPM
φ 1	220	60Hz	5.0	10.5	140	1880
φ 1	220	50Hz	3.3	8.2	80	1540

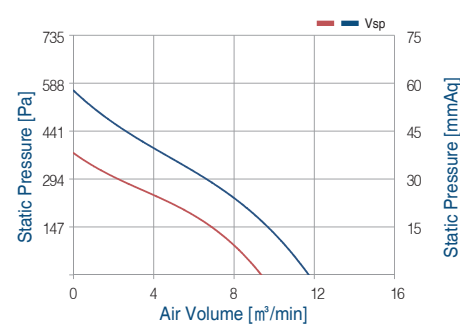


SINGLE INLET DIRECT DRIVE CENTRIFUGAL FANS (BLDC)

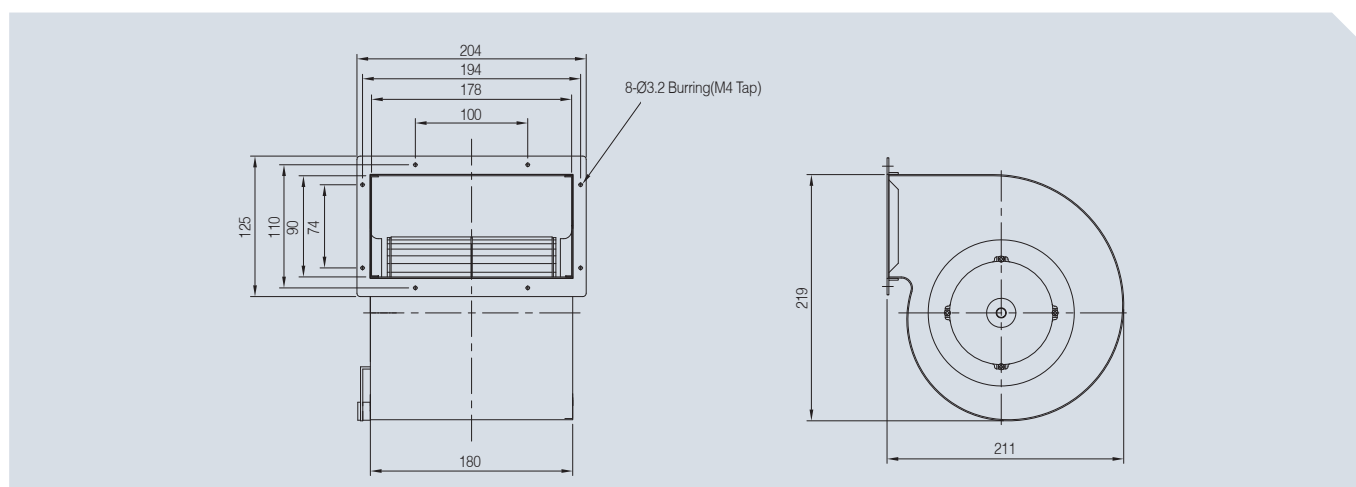
• AOS2S-180-75A (BLDC)



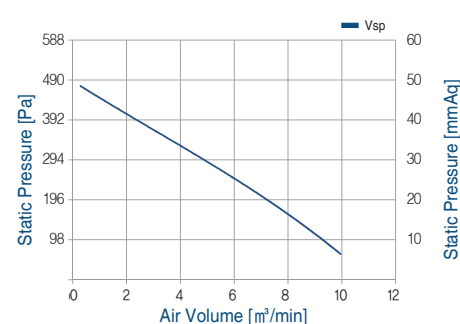
Power source			Vsp (VDC)	Air Volume	Input power	Rotative speed
Phase	V	Hz	V	m³/min	W	RPM
φ 1	220	60Hz	5.0	11.8	140	1390
φ 1	220	50Hz	4.5	9.4	70	1180



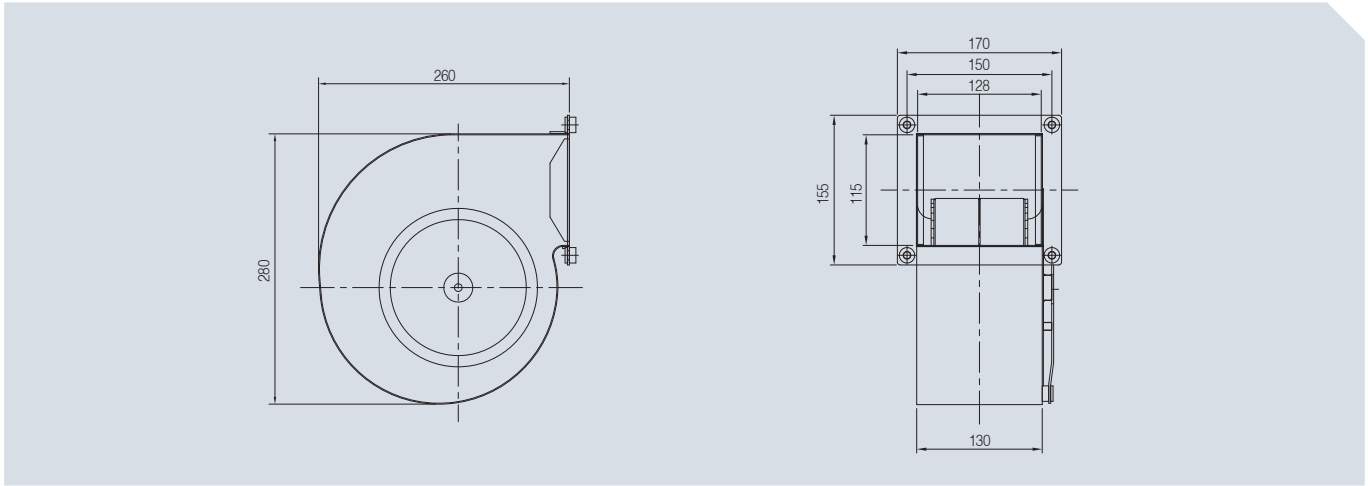
• ABS2D-145-150A (BLDC)



Power source			Vsp (VDC)	Air Volume	Input power	Rotative speed
Phase	V	Hz	V	m³/min	W	RPM
φ 1	220	60Hz	4.8	10.1	90	2810



• ABS2D-185-100A (BLDC)



Power source			Vsp (VDC)	Air Volume	Input power	Rotative speed
Phase	V	Hz	V	m ³ /min	W	RPM
φ 1	220	60Hz	4.8	11.3	110	2100

