

# OUTER ROTOR SINGLE INLET DIRECT DRIVE CENTRIFUGAL FANS (AC)

## Characteristics

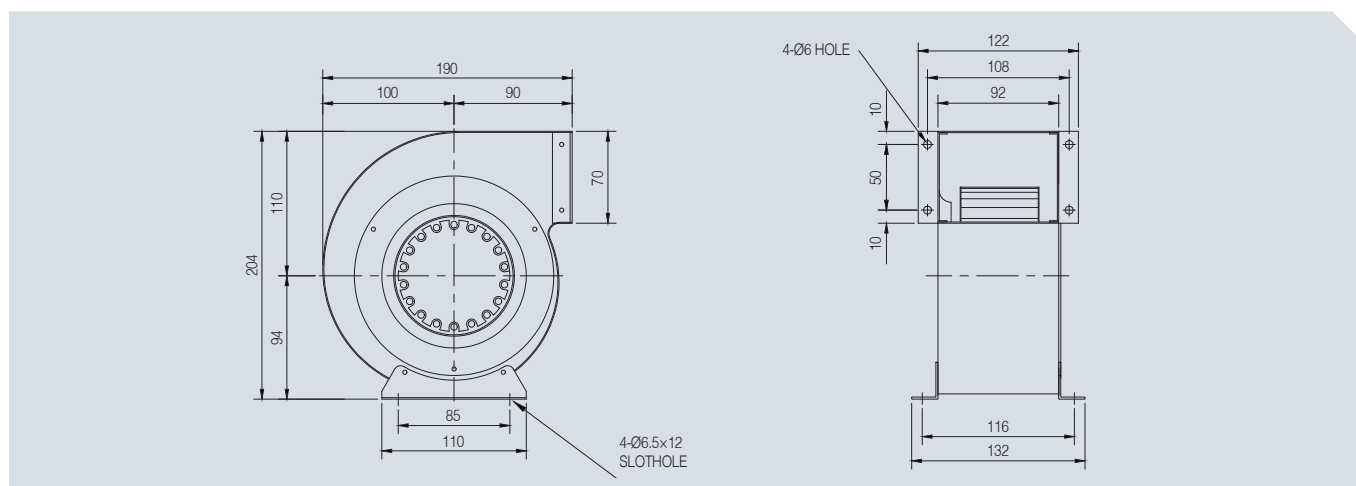
- Appropriately used in the following devices:
  - Air transport system for heat exchangers and range hood
  - Cooling system for electronic and communication equipment
- For ease of handling and installation, miniaturization and light-weight of the fan achieved through integrated design of structure
- Quality ensured by acquisition of CE mark (i.e. European Conformity), which literally means that the product complies with the essential requirements of the relevant European health, safety and environmental legislation
- Regardless of frequency, speed control possible
- Excellent product reliability ensured by illumination process
- Excellent energy rating achieved due to low electricity consumption (high efficiency) relative to air volume



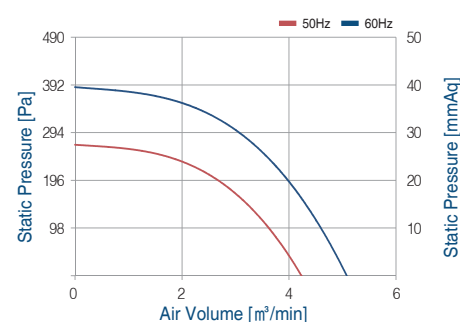
## Product data

| MODEL          | Static Pressure |      | Air Volume          | Page |
|----------------|-----------------|------|---------------------|------|
|                | Pa              | mmAq | m <sup>3</sup> /min |      |
| AOS2S-120-60A  | 392             | 40   | 5.2                 | 101p |
| AOS2S-133-60A  | 461             | 47   | 6.2                 |      |
| AOS2S-145-60A  | 490             | 50   | 8.1                 | 102p |
| AOS4S-145-60A  | 392             | 40   | 6.5                 |      |
| AOS2S-160-60A  | 706             | 72   | 8.0                 | 103p |
| AOS4S-160-60A  | 225             | 23   | 7.5                 |      |
| AOS2S-180-75A  | 931             | 95   | 10.8                | 104p |
| AOS4S-180-75A  | 314             | 32   | 10.0                |      |
| AOS4S-180-90A  | 314             | 32   | 15.5                | 105p |
| AOS4S-200-100A | 333             | 34   | 16.0                |      |

• AOS2S-120-60A

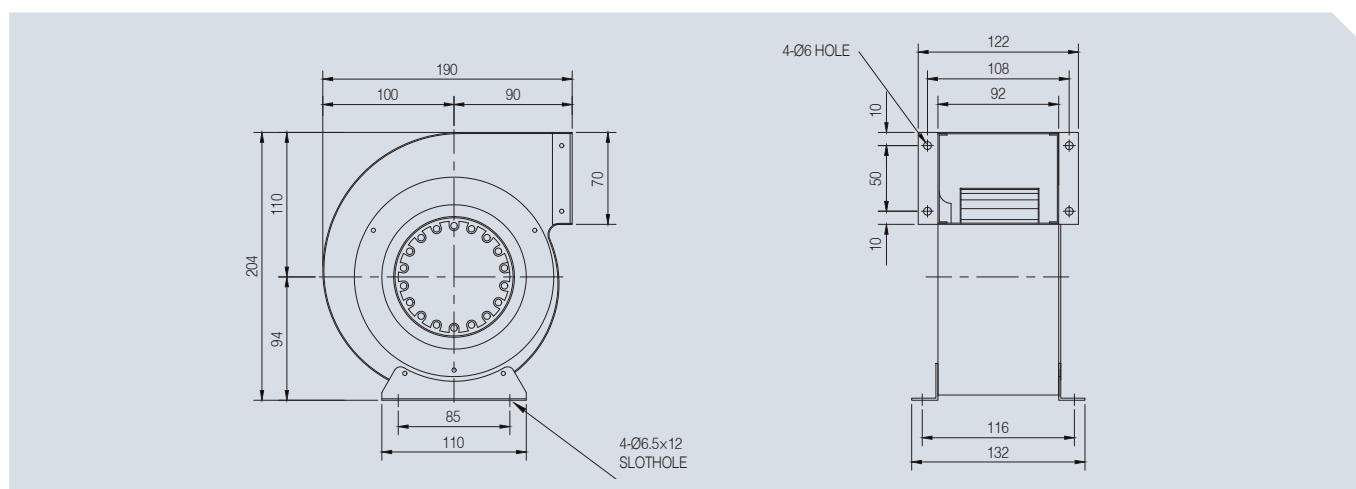


| Power source |     |      | Static Pressure<br>Pa | Air Volume<br>m³/min | Input power<br>W | Current<br>A | Rotative speed<br>RPM |
|--------------|-----|------|-----------------------|----------------------|------------------|--------------|-----------------------|
| Phase        | V   | Hz   |                       |                      |                  |              |                       |
| φ 1          | 220 | 60Hz | 392                   | 5.2                  | 100              | 0.5          | 2250                  |
| φ 1          | 220 | 50Hz | 254.8                 | 4.3                  | 80               | 0.4          | 2100                  |

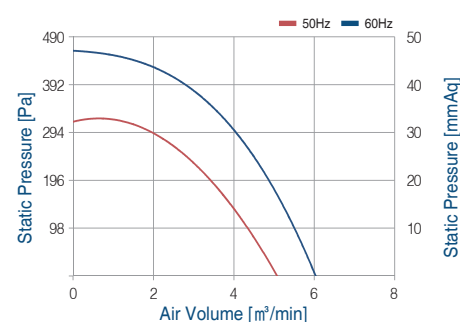


SINGLE INLET DIRECT DRIVE CENTRIFUGAL FANS (AC)

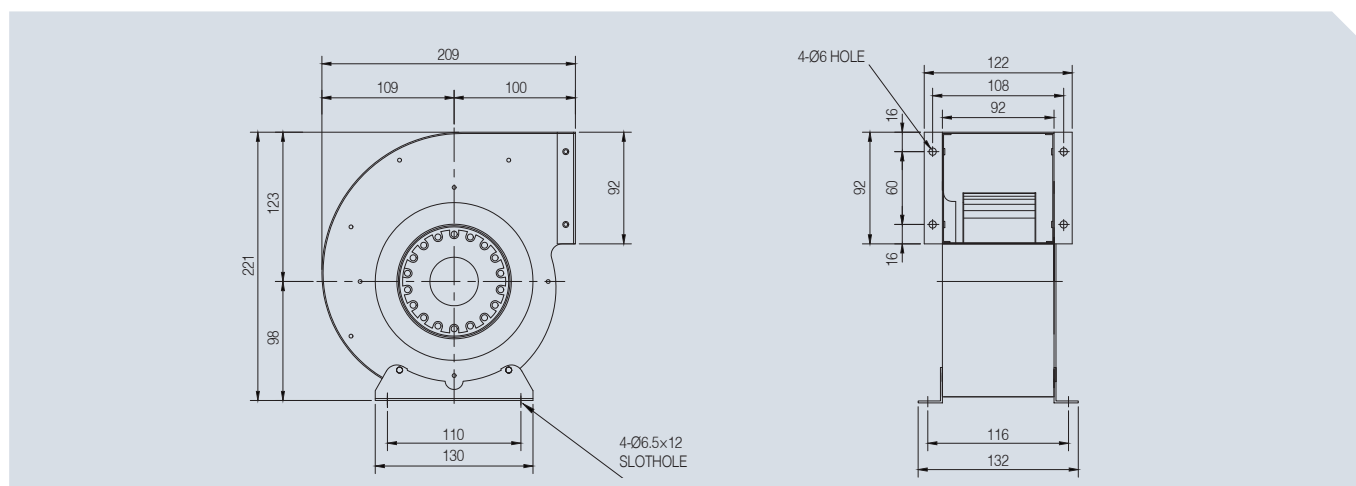
• AOS2S-133-60A



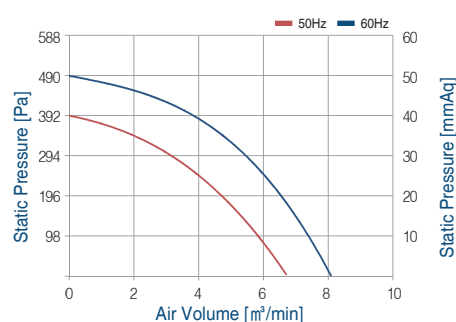
| Power source |     |      | Static Pressure<br>Pa | Air Volume<br>m³/min | Input power<br>W | Current<br>A | Rotative speed<br>RPM |
|--------------|-----|------|-----------------------|----------------------|------------------|--------------|-----------------------|
| Phase        | V   | Hz   |                       |                      |                  |              |                       |
| φ 1          | 220 | 60Hz | 461                   | 6.2                  | 110              | 0.5          | 2200                  |
| φ 1          | 220 | 50Hz | 313.6                 | 5.1                  | 90               | 0.4          | 2050                  |



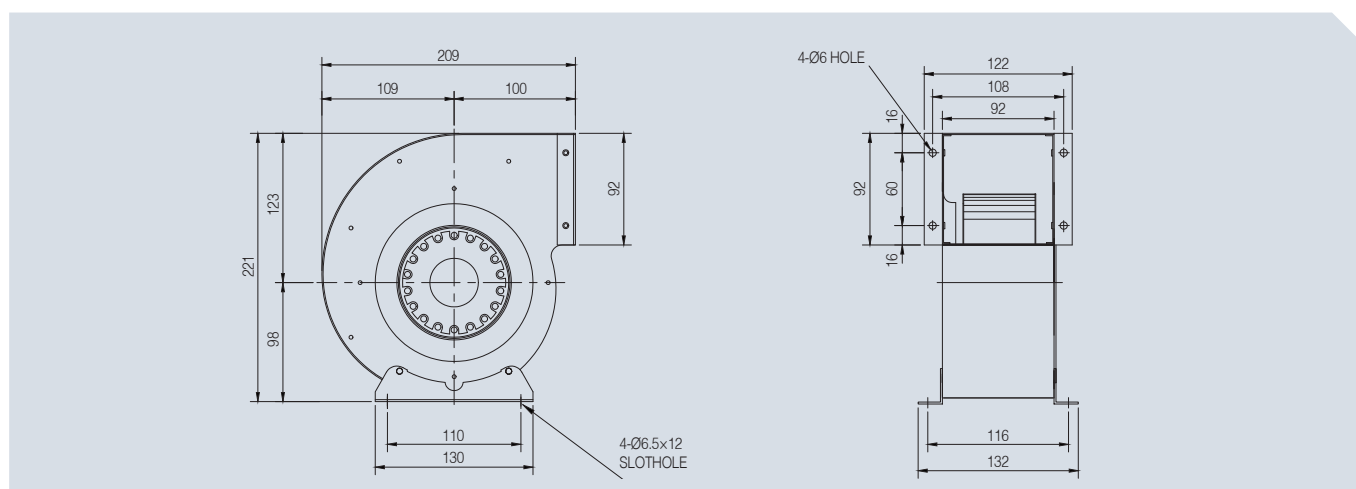
• AOS2S-145-60A



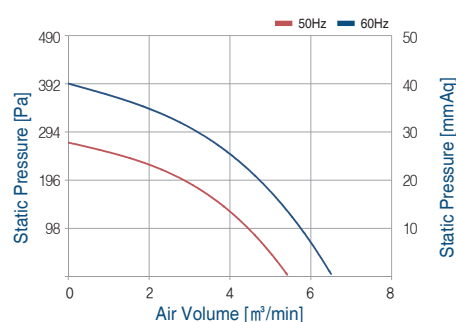
| Power source |     |      | Static Pressure<br>Pa | Air Volume<br>m³/min | Input power<br>W | Current<br>A | Rotative speed<br>RPM |
|--------------|-----|------|-----------------------|----------------------|------------------|--------------|-----------------------|
| Phase        | V   | Hz   |                       |                      |                  |              |                       |
| ∅ 1          | 220 | 60Hz | 490.0                 | 8.1                  | 146              | 0.7          | 2200                  |
| ∅ 1          | 220 | 50Hz | 411.6                 | 6.7                  | 122              | 0.6          | 1825                  |



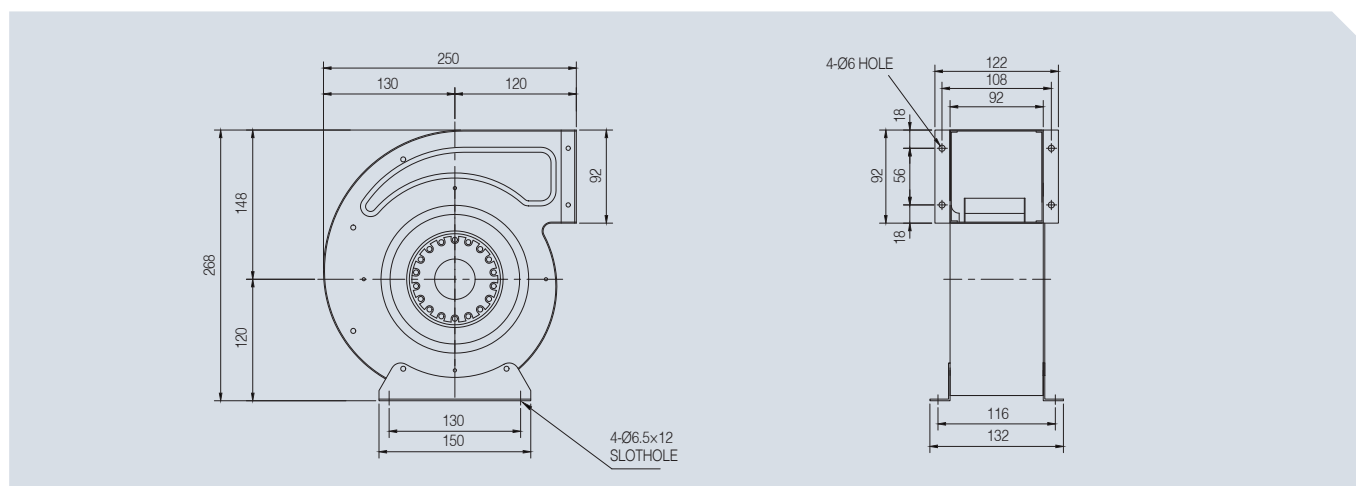
• AOS4S-145-60A



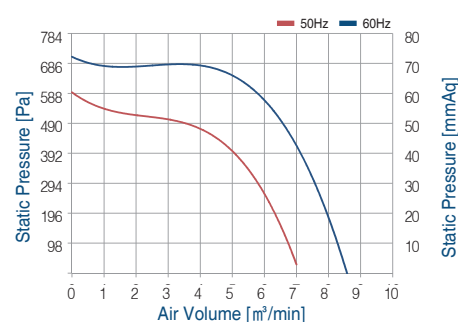
| Power source |     |      | Static Pressure<br>Pa | Air Volume<br>m³/min | Input power<br>W | Current<br>A | Rotative speed<br>RPM |
|--------------|-----|------|-----------------------|----------------------|------------------|--------------|-----------------------|
| Phase        | V   | Hz   |                       |                      |                  |              |                       |
| ∅ 1          | 220 | 60Hz | 392                   | 6.5                  | 140              | 0.5          | 1750                  |
| ∅ 1          | 220 | 50Hz | 274.4                 | 5.4                  | 115              | 0.5          | 1450                  |



• AOS2S-160-60A

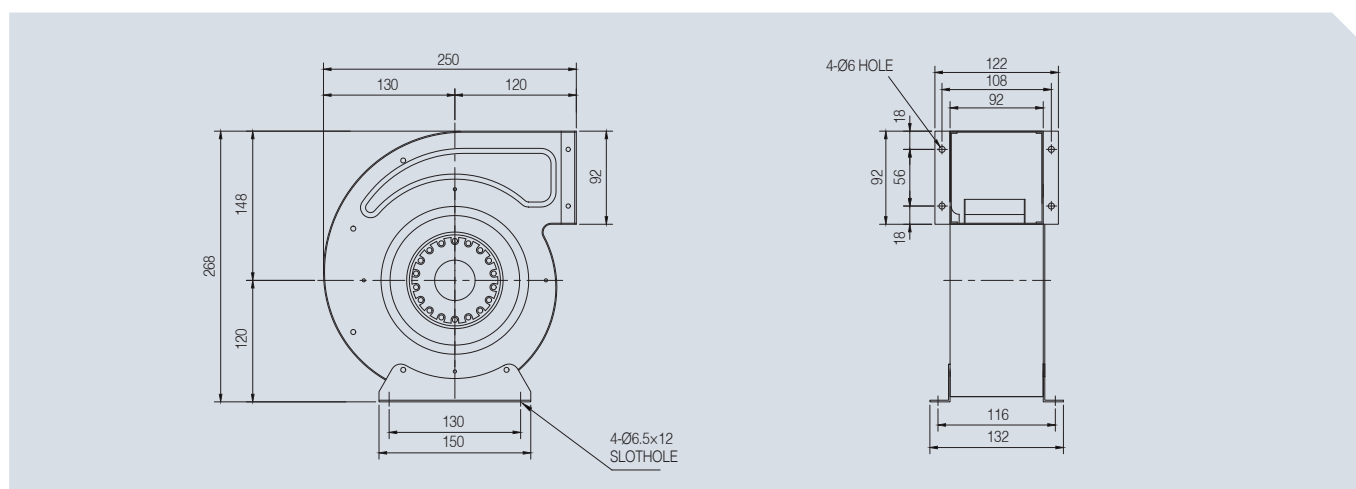


| Power source |     |      | Static Pressure<br>Pa | Air Volume<br>m³/min | Input power<br>W | Current<br>A | Rotative speed<br>RPM |
|--------------|-----|------|-----------------------|----------------------|------------------|--------------|-----------------------|
| Phase        | V   | Hz   |                       |                      |                  |              |                       |
| φ 1          | 220 | 60Hz | 706                   | 8.0                  | 260              | 1.2          | 2200                  |
| φ 1          | 220 | 50Hz | 588                   | 6.7                  | 216              | 1.0          | 1850                  |

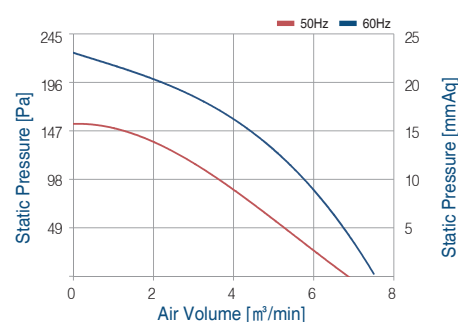


SINGLE INLET DIRECT DRIVE CENTRIFUGAL FANS (AC)

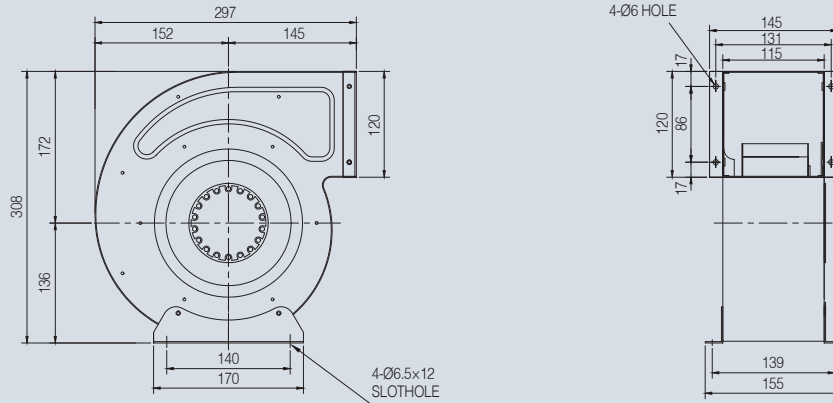
• AOS4S-160-60A



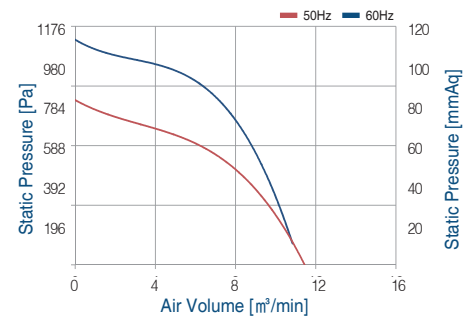
| Power source |     |      | Static Pressure<br>Pa | Air Volume<br>m³/min | Input power<br>W | Current<br>A | Rotative speed<br>RPM |
|--------------|-----|------|-----------------------|----------------------|------------------|--------------|-----------------------|
| Phase        | V   | Hz   |                       |                      |                  |              |                       |
| φ 1          | 220 | 60Hz | 225                   | 7.5                  | 82               | 0.4          | 1400                  |
| φ 1          | 220 | 50Hz | 157                   | 7                    | 72               | 0.4          | 1300                  |



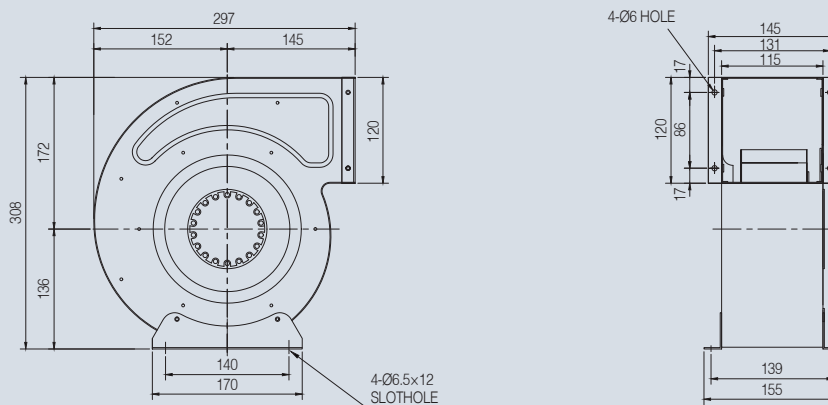
• AOS2S-180-75A



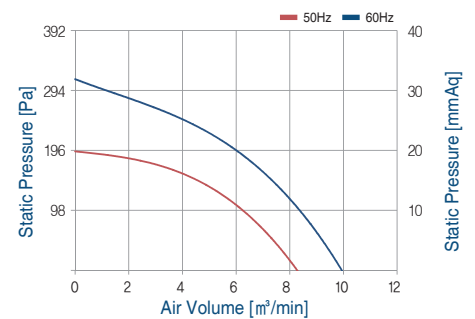
| Power source |     |      | Static Pressure<br>Pa | Air Volume<br>m <sup>3</sup> /min | Input power<br>W | Current<br>A | Rotative speed<br>RPM |
|--------------|-----|------|-----------------------|-----------------------------------|------------------|--------------|-----------------------|
| Phase        | V   | Hz   |                       |                                   |                  |              |                       |
| ∅ 1          | 220 | 60Hz | 931                   | 10.8                              | 330              | 1.5          | 2650                  |
| ∅ 1          | 220 | 50Hz | 706                   | 11.5                              | 310              | 1.4          | 2080                  |



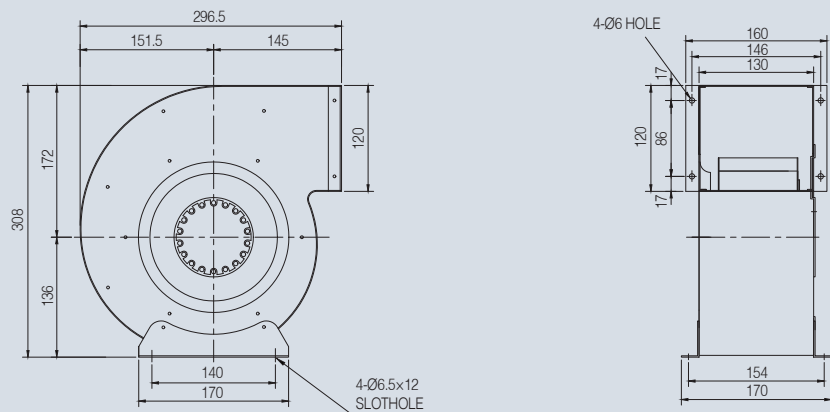
• AOS4S-180-75A



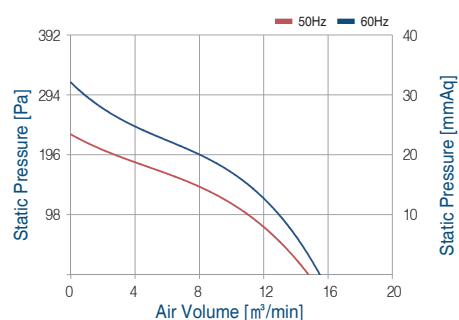
| Power source |     |      | Static Pressure<br>Pa | Air Volume<br>m <sup>3</sup> /min | Input power<br>W | Current<br>A | Rotative speed<br>RPM |
|--------------|-----|------|-----------------------|-----------------------------------|------------------|--------------|-----------------------|
| Phase        | V   | Hz   |                       |                                   |                  |              |                       |
| ∅ 1          | 220 | 60Hz | 314                   | 10                                | 140              | 0.7          | 1300                  |
| ∅ 1          | 220 | 50Hz | 196                   | 8.5                               | 110              | 0.7          | 1250                  |



• AOS4S-180-90A

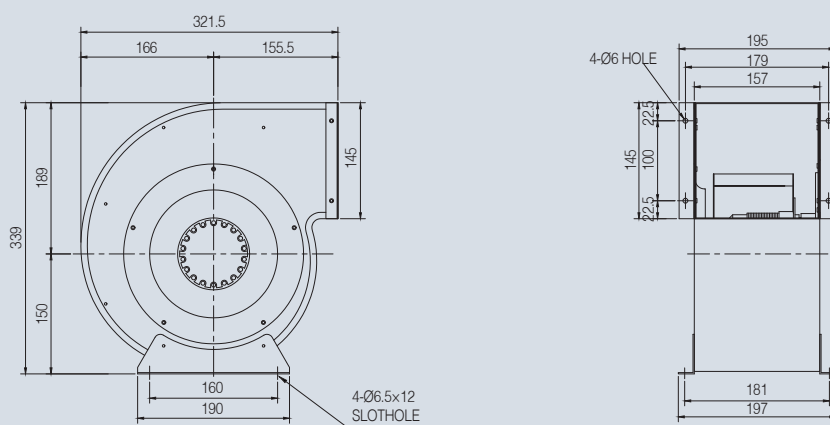


| Power source |     |      | Static Pressure<br>Pa | Air Volume<br>m <sup>3</sup> /min | Input power<br>W | Current<br>A | Rotative speed<br>RPM |
|--------------|-----|------|-----------------------|-----------------------------------|------------------|--------------|-----------------------|
| Phase        | V   | Hz   |                       |                                   |                  |              |                       |
| φ 1          | 220 | 60Hz | 314                   | 15.5                              | 190              | 0.8          | 1450                  |
| φ 1          | 220 | 50Hz | 235                   | 14.8                              | 160              | 0.7          | 1200                  |



SINGLE INLET DIRECT DRIVE CENTRIFUGAL FANS (AC)

• AOS4S-200-100A



| Power source |     |      | Static Pressure<br>Pa | Air Volume<br>m <sup>3</sup> /min | Input power<br>W | Current<br>A | Rotative speed<br>RPM |
|--------------|-----|------|-----------------------|-----------------------------------|------------------|--------------|-----------------------|
| Phase        | V   | Hz   |                       |                                   |                  |              |                       |
| φ 1          | 220 | 60Hz | 333                   | 16.0                              | 280              | 1.6          | 1480                  |
| φ 1          | 220 | 50Hz | 225                   | 14.5                              | 250              | 1.3          | 1300                  |

