

OUTER ROTOR BACKWARD CURVE FANS (AC)

Characteristics

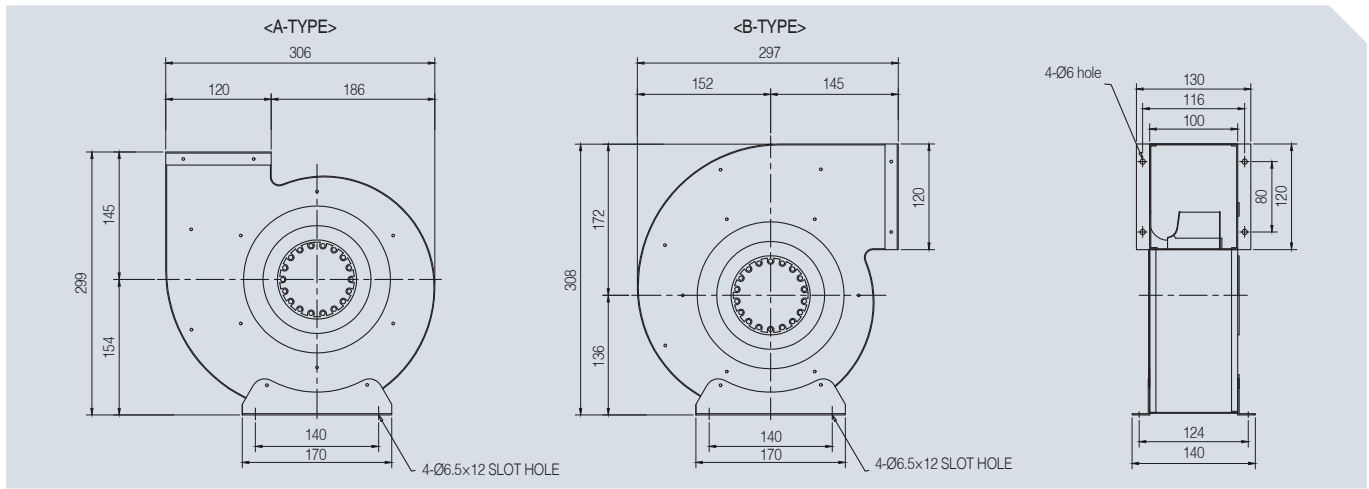
- Appropriately used in the following devices:
 - Air transport system for heat exchangers and range hood
 - Cooling system for electronic and communication equipment
- For ease of handling and installation, miniaturization and light-weight of the fan achieved through integrated design of structure
- Quality ensured by acquisition of CE mark (i.e. European Conformity), which literally means that the product complies with the essential requirements of the relevant European health, safety and environmental legislation
- Regardless of frequency, speed control possible
- Excellent product reliability ensured by illumination process
- Excellent energy rating achieved due to low electricity consumption (high efficiency) relative to air volume
- Highly efficient backward curved fan with low noise level applied; thus, suitable for high static pressure



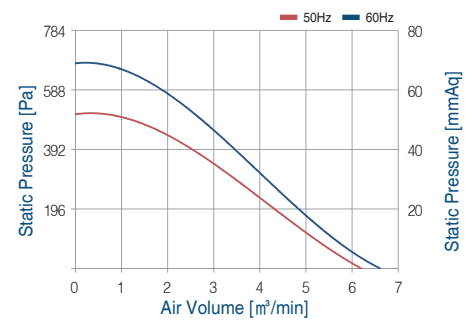
Product data

MODEL	Static Pressure		Air Volume	Page
	mmAq	Pa	m ³ /min	
AOB2S-190-45A	608	62	6.6	111p
AOB4S-190-45A	176	18	4.2	
AOB2S-225-50A	931	95	13.8	112p
AOB4S-225-50A	245	25	8.0	
AOB2S-250-52A	1098	112	14.8	113p
AOB4S-250-52A	294	30	9.3	
AOB2S-280-50A	1176	120	18.0	114p
AOB4S-280-50A	382	39	15.5	

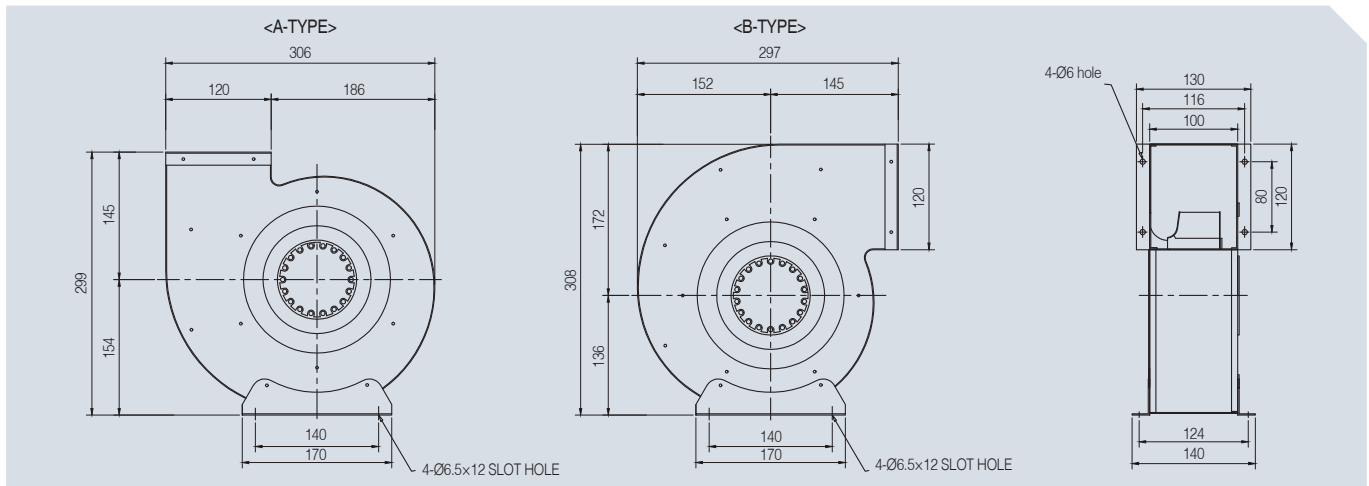
• AOB2S-190-45A



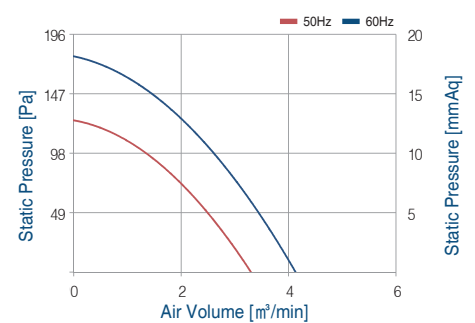
Power source			Static Pressure Pa	Air Volume m ³ /min	Input power W	Current A	Rotative speed RPM
Phase	V	Hz					
∅ 1	220	60Hz	608	6.6	80	0.4	2780
∅ 1	220	50Hz	510	6.2	60	0.3	2620



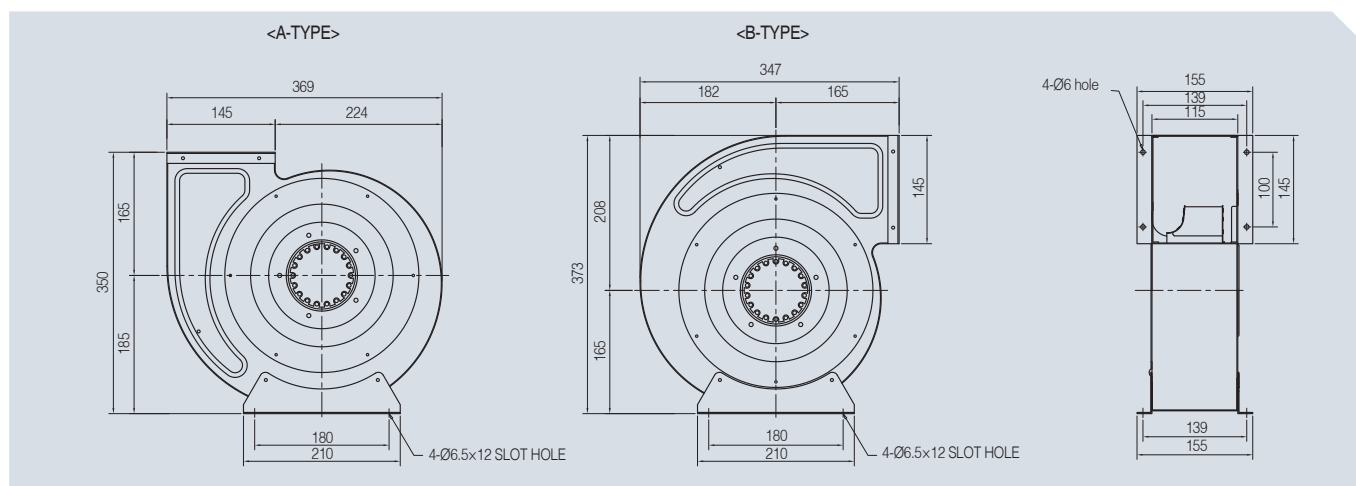
• AOB4S-190-45A



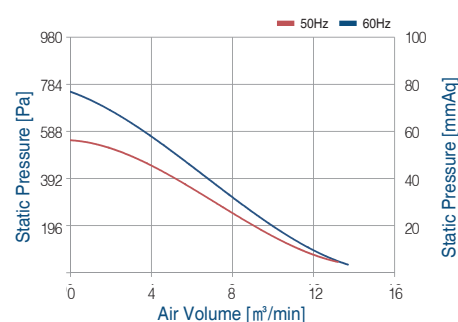
Power source			Static Pressure Pa	Air Volume m ³ /min	Input power W	Current A	Rotative speed RPM
Phase	V	Hz					
∅ 1	220	60Hz	176	4.2	50	0.4	1640
∅ 1	220	50Hz	118	3.4	70	0.4	1380



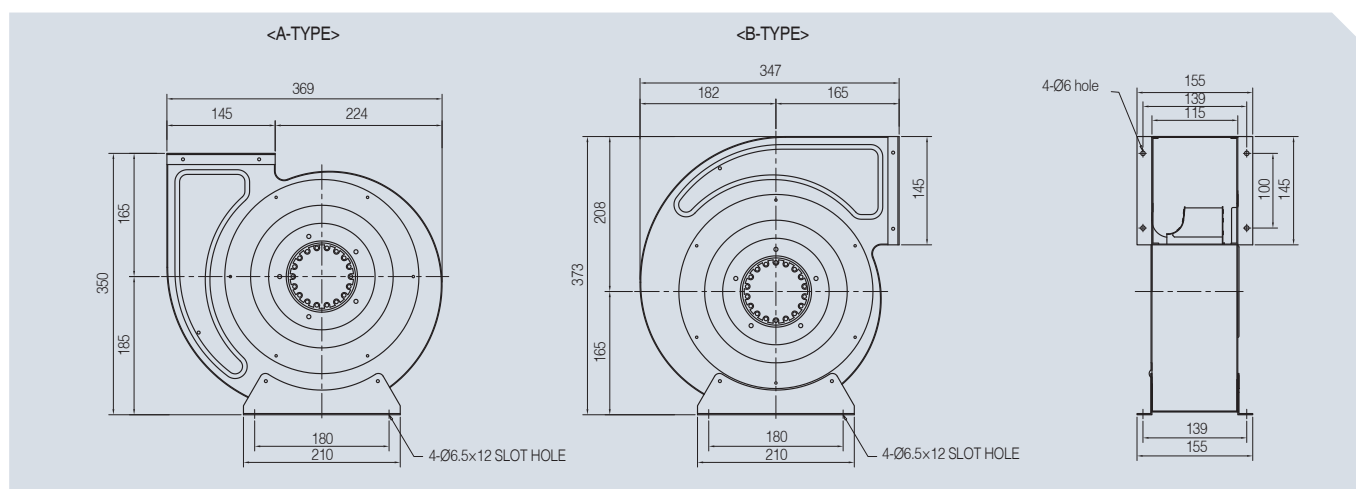
• AOB2S-225-50A



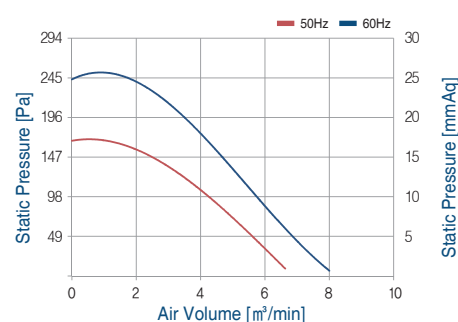
Power source			Static Pressure Pa	Air Volume m ³ /min	Input power W	Current A	Rotative speed RPM
Phase	V	Hz					
φ 1	220	60Hz	95	13.8	170	0.8	2700
φ 1	220	50Hz	70	13.2	130	0.6	2500



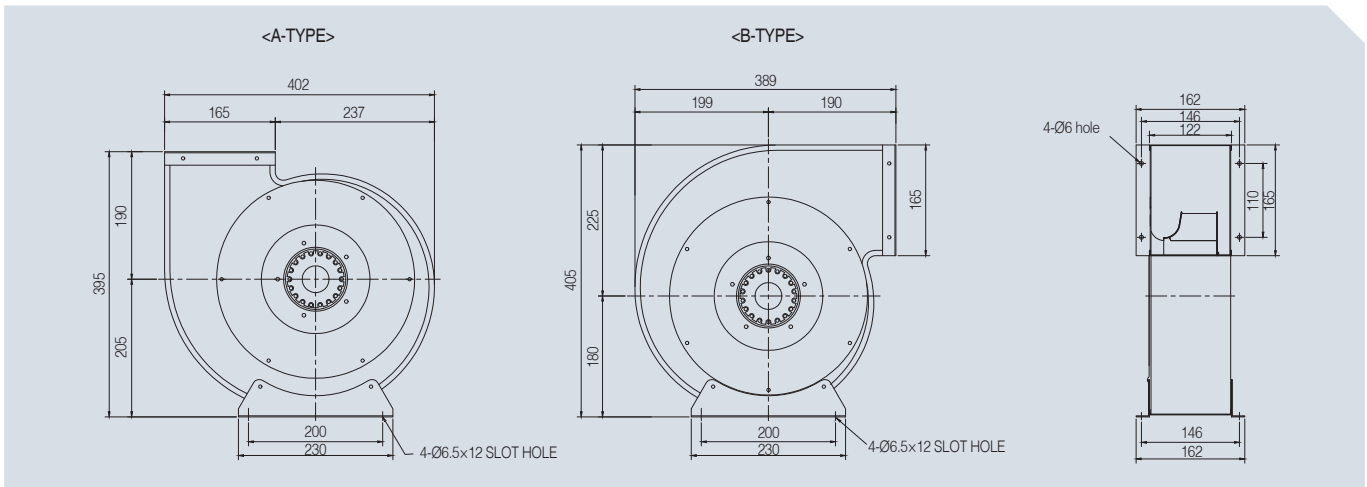
• AOB4S-225-50A



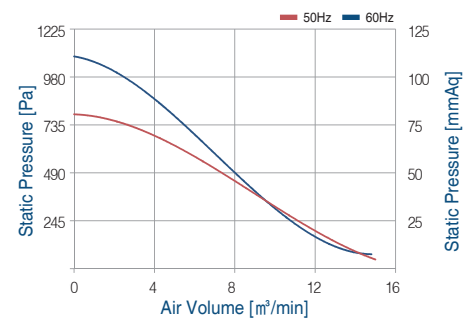
Power source			Static Pressure Pa	Air Volume m ³ /min	Input power W	Current A	Rotative speed RPM
Phase	V	Hz					
φ 1	220	60Hz	245	8	60	0.4	1550
φ 1	220	50Hz	167	6.7	70	0.5	1310



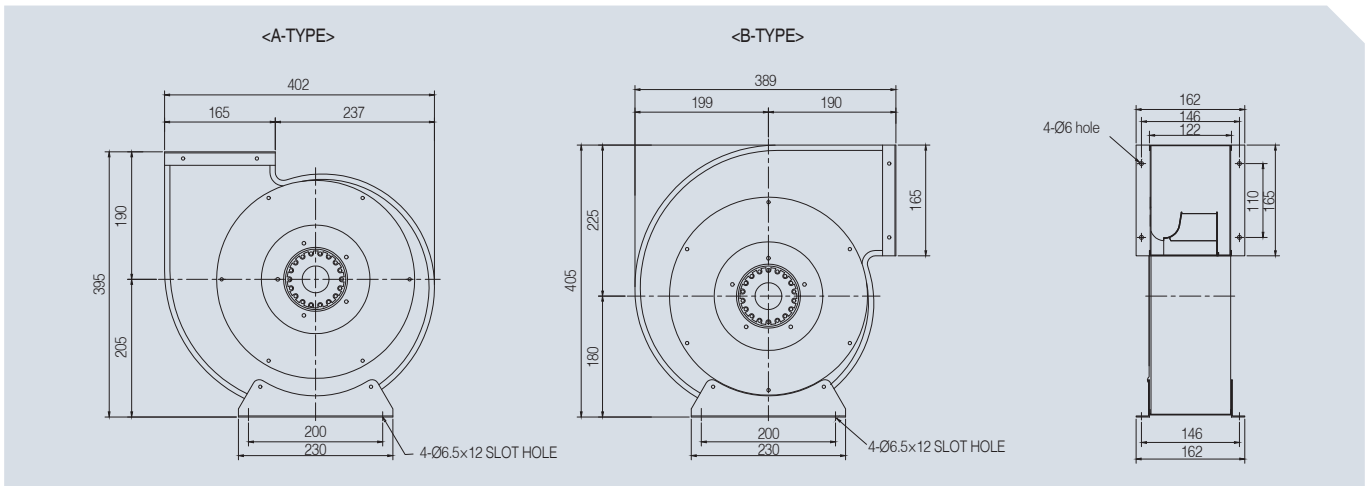
• AOB2S-250-52A



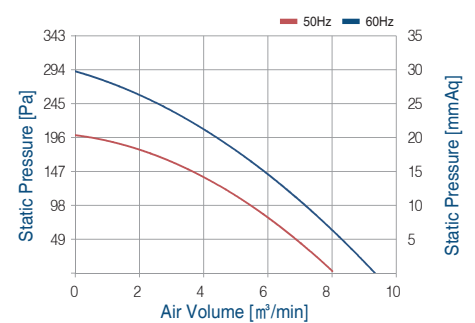
Power source			Static Pressure Pa	Air Volume m³/min	Input power W	Current A	Rotative speed RPM
Phase	V	Hz					
φ 1	220	60Hz	1098	14.8	220	1.0	2380
φ 1	220	50Hz	804	15	170	0.8	2380



• AOB4S-250-52A

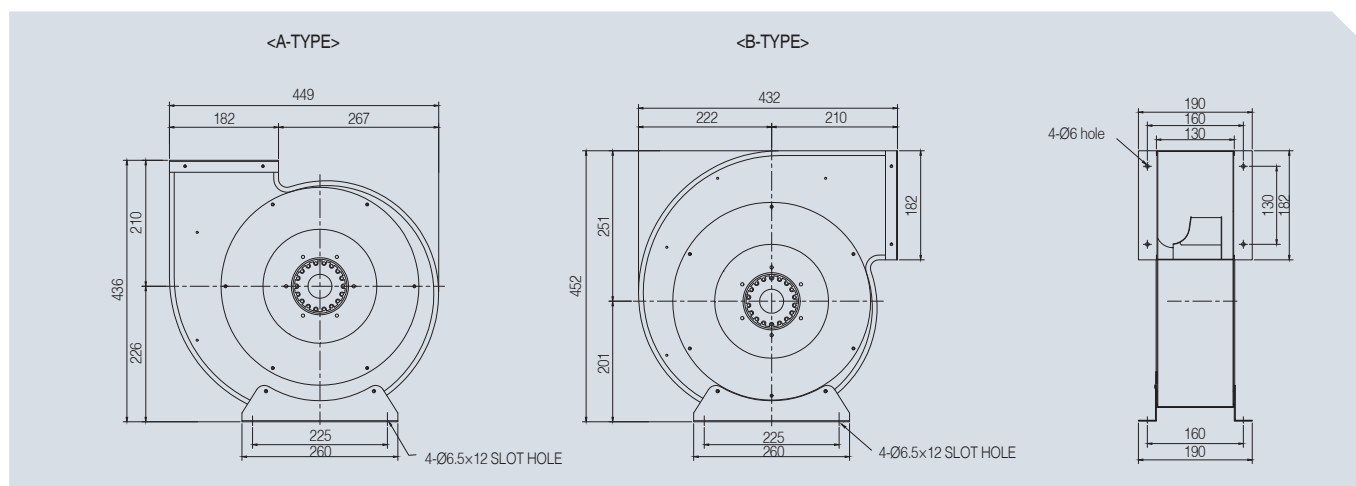


Power source			Static Pressure Pa	Air Volume m³/min	Input power W	Current A	Rotative speed RPM
Phase	V	Hz					
φ 1	220	60Hz	294	9.3	70	0.4	1440
φ 1	220	50Hz	196	8	70	0.5	1250

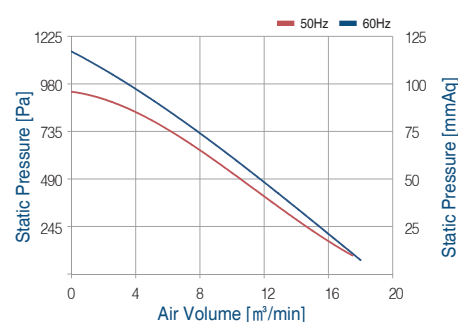


BACKWARD CURVE FANS (AC)

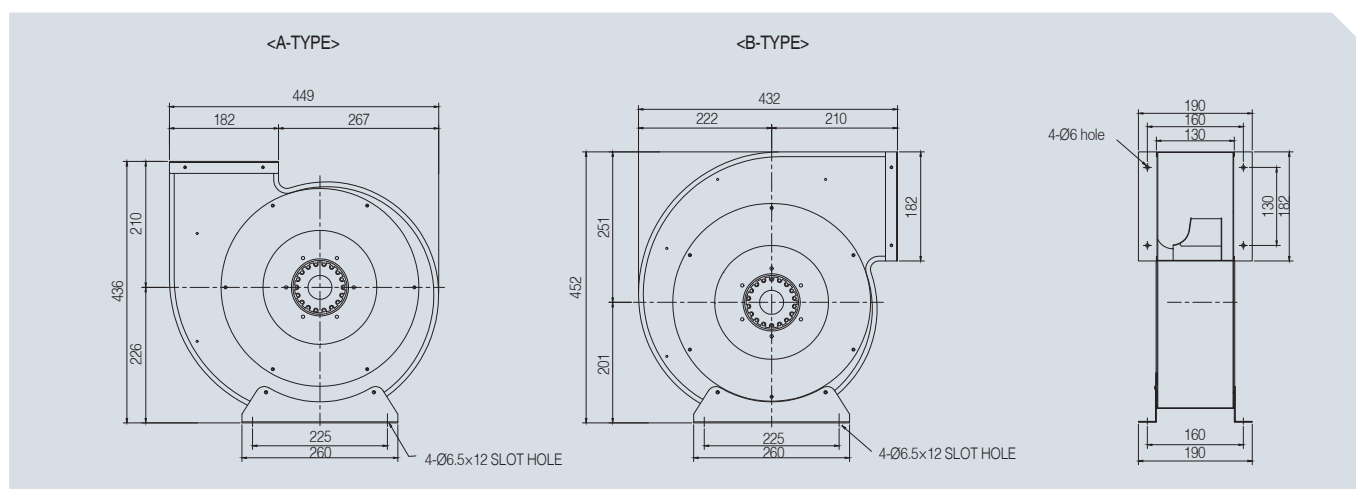
• AOB2S-280-50A



Power source			Static Pressure Pa	Air Volume m ³ /min	Input power W	Current A	Rotative speed RPM
Phase	V	Hz					
φ 1	220	60Hz	1176	18	280	1.3	2100
φ 1	220	50Hz	951	17.5	240	1.1	2070



• AOB4S-280-50A



Power source			Static Pressure Pa	Air Volume m ³ /min	Input power W	Current A	Rotative speed RPM
Phase	V	Hz					
φ 1	220	60Hz	382	15.5	100	0.5	1520
φ 1	220	50Hz	274	13.7	90	0.5	1320

