

AUXILIARY BLOCK BLOWERS

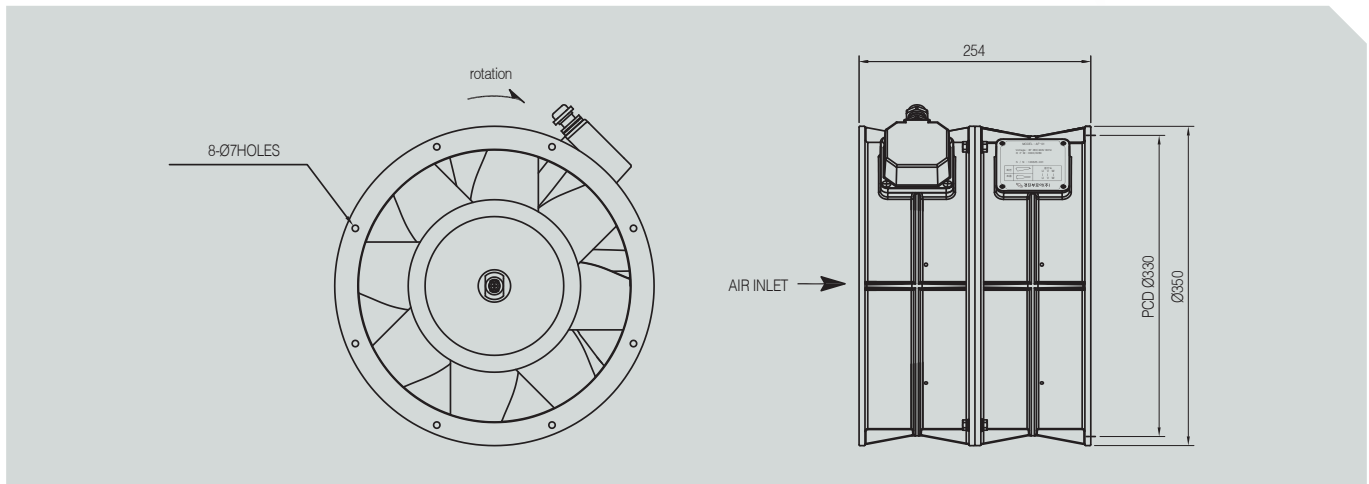
Characteristics

- High efficiency in performance achieved with application of airfoil impellers



MODEL	Motor power		Static Pressure		Air Volume
	kw	HP	Pa	mmAq	m ³ /min
AF-01	0.4	1/2	1450	148	36.2

• AF-01



Power source			Static Pressure Pa	Air Volume m ³ /min	Motor power W	Input power W	Current A	Rotative speed RPM
Phase	V	Hz						
3	380	60Hz	1450	36.2	400	710	1.2	3300
	440		1519	36.6				3400

